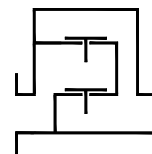


Type sheet

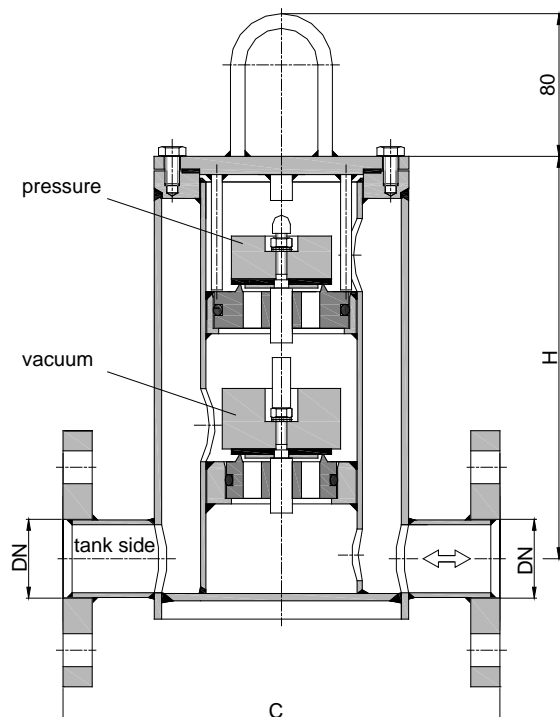
In-line pressure and vacuum relief valve
KITO® VD/TG-...



Application

As inline armature with venting and breather valve function for vessels. Preferably used for installation in pipes.

Dimensions (mm) and settings (mbar)



Construction length C can be adapted to customers wish to local situation.

DN		C	H	~kg	vacuum		setting	pressure	min. - max. (with housing extension)
DIN	ASME				min. - max. (load weight from PE)	min. - max.	min. - max. (load weight from PE)	min. - max.	
25 PN 40	1"	240	210	10	2.7 - 10.4	10.5 - 75	2.5 - 10.4	10.5 - 70	> 70 - 200
32 PN 40	1 ¼"	240	220	12	2.7 - 10.4	10.5 - 73	2.5 - 10.4	10.5 - 68	> 68 - 200
40 PN 40	1 ½"	350	308	18	2.1 - 10.4	10.5 - 148	1.8 - 10.3	10.4 - 200	-
50 PN 16	2"	350	308	19	2.1 - 10.4	10.5 - 145	1.8 - 10.3	10.4 - 200	-
65 PN 16	2 ½"	350	316	20	1.7 - 7.4	7.5 - 90	1.7 - 7.4	7.5 - 130	> 130 - 200
80 PN 16	3"	350	364	25	1.7 - 7.9	8.0 - 105	1.7 - 7.8	7.9 - 130	> 130 - 200
100 PN 16	4"	450	415	30	1.7 - 7.6	7.7 - 97	1.7 - 7.6	7.7 - 180	> 180 - 200
125 PN 16	5"	500	400	35	1.7 - 6.7	6.8 - 80	1.7 - 6.7	6.8 - 135	> 135 - 150
150 PN 16	6"	550	441	42	1.9 - 11.9	12 - 100	1.7 - 11.9	12 - 150	-

Indicated weights are understood without weight load and refer to the standard design

Higher settings see KITO® VD/TG-1-... (type sheet F 31.1 N)

Example for order

KITO® VD/TG-50

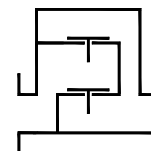
(design with flange connection DN 50 PN 16)

Without EC certificate and €-marking

Type sheet

In-line pressure and vacuum relief valve

KITO® VD/TG-...



Design

	standard	optionally
housing / cover	steel	stainless steel mat. no. 1.4571
gasket	HD 3822	PTFE
valve seat, valve spindle	stainless steel mat. no. 1.4571	
valve seat seal (o-ring)	VMQ-FEP	Viton, NBR, VMQ-PFA
load weight	stainless steel mat. no. 1.4571	PE
valve sealing	NBR	Viton, PTFE, EPDM, metal sealing
		<i>≥ 100 mbar only PTFE or metal sealing</i>
flange connection	EN 1092-1 type A	ASME B16.5 Class 150 RF

Performance curves

Flow capacity V based on air of a density $\rho = 1.29 \text{ kg/m}^3$ at $T = 273 \text{ K}$ and atmospheric pressure $p = 1.013 \text{ mbar}$. For other gases the flow can be approximately calculated by

$$\dot{V}_{40\%} = \dot{V}_b \cdot \sqrt{\frac{\rho_b}{1.29}} \quad \text{or} \quad \dot{V}_b = \dot{V}_{40\%} \cdot \sqrt{\frac{1.29}{\rho_b}}$$

The indicated flow rates will be reached by an accumulation of 40% above valve's setting (see DIN 4119).
If the allowable overpressure is less 40%, please consult der factory for the corrected volume flow.

