

# INSTALLATION, OPERATION AND MAINTENANCE MANUAL



**SMART POSITIONER**

**RE20**

## Contents

<b>1. Introduction</b>	<b>5</b>
1.1 General Information for the users	5
1.2 Manufacturer Warranty	5
<b>2. Product Description</b>	<b>6</b>
2.1 General	6
2.2 Main Features and Functions	6
2.3 Label Description	7
2.4 Product Code	8
2.5 Product Specification	9
2.6 Certifications	10
2.7 Parts and Assembly	11
2.8 Product Dimension	12
<b>3. Installation</b>	<b>13</b>
3.1 Safety	13
3.2 Tools for installation	13
3.3 Linear positioner Installation	14
3.3.1 Linear positioner Installation of Standard lever type	14
3.3.2 Safety	14
3.3.3 Standard lever type positioner Installation Steps	15
3.4 Rotary positioner Installation	19
3.4.1 Components	19
3.4.2 Rotary Bracket Information	20
3.4.3 Rotary positioner Installation Steps	21
<b>4. Connection - Air</b>	<b>22</b>
4.1 Safety	22
4.2 Supply Pressure Condition	22
4.3 Piping Condition	22
4.4 Connection – Piping with actuator	22
4.4.1 Single acting actuator	22
4.4.2 Double acting actuator	22
<b>5. Connection – Power</b>	<b>24</b>
5.1 Safety	24
5.2 Connection	24
5.3 Ground	24
<b>6. Adjustments</b>	<b>25</b>
6.1 Orifice Installment	25
6.1.1 Plate type Orifice Installment	25
<b>7. Optional Sub-PCB Installment</b>	<b>26</b>

7.1	Installation steps .....	26
<b>8.</b>	<b>Auto Calibration and PCB Operation.....</b>	<b>27</b>
8.1	Warning.....	27
8.2	LCD display and buttons.....	27
8.2.1	LCD display and symbols .....	27
8.2.2	Button and function .....	28
8.3	Menu levels.....	29
8.4	RUN Mode Monitor .....	30
8.5	Configuration and Operation.....	31
8.6	Calibration (CALib).....	33
8.6.1	Acting Type (SINGLE / dDOUBLE).....	33
8.6.2	Auto Calibration 1 (AUTO 1).....	34
8.6.3	Auto Calibration 2 (AUTO 2).....	34
8.6.4	Travel Zero (TVL ZERO) and Travel end (TVL ENd) .....	35
8.7	Manual Operation (MAN OPER).....	36
8.7.1	Manual Operation by Set position (MAN SP) .....	36
8.7.2	Manual Operation by MV (MAN MV) .....	37
8.8	Control Parameters (CTL PARM).....	38
8.8.1	Dead Band (dEAdbANd).....	38
8.8.2	Forward P parameter (KP UP) and reverse P parameter (KP dN).....	39
8.8.3	Forward Integral time parameter (TI UP) and reverse Integral time parameter (TI dN).....	39
8.8.4	Forward D parameter (Kd UP) and reverse D parameter (Kd dN).....	40
8.8.5	Auto Dead band Mode (AUTO db) .....	40
8.8.6	Performance Mode (PER) .....	41
8.9	Input Configuration (IN CFG).....	42
8.9.1	Signal Direction (SIG NORM / REVS) .....	42
8.9.2	Split Range Mode (SPLIT).....	43
8.9.3	Custom Split Range Zero (CST ZERO).....	43
8.9.4	Custom Split Range End (CST ENd).....	44
8.9.5	Valve Flow Characterization Curves (CHAR).....	44
8.9.6	User Set Characterization 5 Points (U5) .....	45
8.9.7	User Set Characterization 21 Points (U21) .....	46
8.9.8	Tight Shut Open (TSHUT OP).....	47
8.9.9	Tight Shut Close (TSHUT CL) .....	48
8.10	Output Configuration (OUT CFG).....	49
8.10.1	Position Transmitter Direction (PTM NORM / REVS).....	49
8.10.2	Position Transmitter Zero / End (PTM ZERO / ENd).....	50
8.10.3	Back Calculation (bACKCAL oFF / on).....	51
8.11	Device Configuration (dEV CFG).....	52
8.11.1	Action Setting (ACT).....	52
8.11.2	Linear Interpolation (ITP oFF / on).....	53



- 8.11.3 Lock of Parameters (Write Protect, W UNLOCK / LOCK)..... 53
- 8.11.4 Actual Position View Mode (View Mode, VI NORM / REVS) ..... 54
- 8.11.5 Factory Reset (dEFAULT oFF / on)..... 54
- 8.11.6 Positioner Self-Test (SELFTEST)..... 55
- 8.12 Diagnosis Mode (diagNd)..... 56
  - 8.12.1 Default Alarm Settings ..... 56
  - 8.12.2 Device Status (dS)..... 57
  - 8.12.3 Reset Alarm Status (RST ALRM oFF / on)..... 58
  - 8.12.4 View Event Log (EVT LOG)..... 59
- 8.13 Position information (INFO) ..... 60
- 8.14 Status and Alarm Code..... 62
- 9. Main Software Map ..... 64**

## 1. Introduction

### 1.1 General Information for the users

Each product has been fully inspected after its production to offer you the highest quality and reliable performance. Please read the product manual carefully prior to installing and commission the product.

- Installation, commissioning, and maintenance of the product may only be performed by trained specialist personnel who have been authorized by the plant operator accordingly.
- The manual should be provided to the end-user.
- The manual can be altered or revised without any prior notice. Any changes in product's specification, design, and/or any components may not be printed immediately but until the following revision of the manual.
- When the manual refers to "**Valve Zero / Zero**" means the final valve position upon pneumatic pressure has been fully exhausted from positioner's OUT1 port. For example, the valve zero position may differ between linear direct and reverse actions. (DA/RA).
- In case of any other problems that are not stated in this manual, please make immediate contact to OMC Spa.
- Positioner is an accessory of the control valve, so please make sure to read the applicable instruction manual of the control valve prior to installation and operation.

### 1.2 Manufacturer Warranty

- For the safety, it is important to follow the instructions in the manual. Manufacturer will not be responsible for any damages caused by user's negligence.
- Any modifications or repairs to the product may only be performed if expressed in this manual. Injuries and physical damages caused by customer's modifying or repairing the product without a prior consultation with OMC Spa will not be compensated. If any alterations or modifications are necessary, please contact OMC Spa directly.
- The warranty period of the product is (18) months from the date of shipment unless stated otherwise. Date of shipment can be checked by providing the LOT NO. or SERIAL NO. to us.
- Manufacturer warranty will not cover products that have been subjected to abuse, accidents, alterations, modifications, tampering, negligence, misuse, faulty installation, lack of reasonable care, repair or service in any way that is not contemplated in the documentation for the product, or if the model or serial number has been altered, tampered with, defaced or removed; damages that occurs in shipment, due to act of God, failure due to power surge, or cosmetic damage. Improper or incorrectly performed maintenance will void this limited warranty.

## 2. Product Description

### 2.1 General

RE20 Smart Valve Positioner accurately controls valve stroke in response to an input signal of 4~20mA from the controller. Built-in micro-processor optimizes the positioner's performance and provides unique functions such as **Auto-Calibration, PID Control**.

### 2.2 Main Features and Functions

- LCD display enables users to monitor the positioner status.
- User will easily understand the method of using 4 buttons because it work same in all versions of firmware interfaces.
- When unexpected situation like momentary blackout happens, our positioner boot-time only take 0.5 second and this can minimize the travel of valve which consequentially increase the safety of system.
- Positioner operates normally even there are sudden changes in supply pressure and / or high vibration environment.
- The method of Auto Calibration is very simple.
- As an advantage of having very low air consumption, It could greatly reduce operating costs in large-scale plants.
- It is compatible with most of controllers.
- Orifices can be installed even in the field to minimize the hunting occurrence and optimize operating conditions.
- Valve system becomes more stable by outputting analog feedback signal.
- Different valve characteristics can be adjusted – Linear, Quick Open, Equal Percentage, and User Set which user can make 5 or 21 points characterizations.
- Tight Shut – Close and Shut - Open can be set.
- PID parameters can be adjusted in the field without any additional communicator.
- Split range 4~12mA or 12~20mA can be set.
- Operating temperature for positioners is -30 ~ 85°C (Please check certified explosion proof temperature in case of Ambient temperature)
- Hand calibration function can set Zero point or End point manually.
- It has IP66 protection grade.
- Polyester powder coating resists the corrosion process.
- Maintenance of the positioner is easy because of modularized inner structure.

## 2.3 Label Description

- **MODEL :** Indicates the model number and any options of the positioner.
  - **INGRESS PROTECTION :** Indicates enclosure protection grade.
  - **INPUT SIGNAL :** Indicates input signal range.
  - **OPERATING TEMP. :** Indicates the allowable operating temperature.
  - **SUPPLY PRESSURE :** Indicates the supply pressure range.
  - **SERIAL NUMBER :** Indicates unique serial number.
  - **YEAR.MONTH :** Indicates manufactured year and month.
- 
- **AMBIENT TEMP. :** Indicates the allowable ambient temperature for explosion proof.
  - **Ui, Ii, Pi, Ci, Li :** Indicates the allowable electrical data in the certificate.  
You can also see the details in the certificate.

### ※ Precautions



Be careful not to apply volatile solvent (hardener of instant adhesive, acetone, WD-40, etc.) to the sticker nameplate. Printed contents may be erased.

2.4 Product Code

RE20 follows suffix symbols as follows.

RE20 1 2 3 4 5 6 7

<span style="border: 1px solid black; padding: 2px 8px;">1</span> Motion Type	L : Linear (Positioner is attached the right yoke of actuator.) R : Rotary
<span style="border: 1px solid black; padding: 2px 8px;">2</span> Acting type	S : Single D : Double
<span style="border: 1px solid black; padding: 2px 8px;">3</span> Lever Type	0 : 10 ~ 40 mm (Standard type) 1 : 20 ~ 100 mm (Standard type)
Linear	2 : 90 ~ 150 mm (Standard type)
Rotary	5 : Namur
<span style="border: 1px solid black; padding: 2px 8px;">4</span> Conduit - Air Connection Type	1 : G 1/2 – Rc 1/4 2 : G 1/2 – 1/4 NPT
<span style="border: 1px solid black; padding: 2px 8px;">5</span> Gauge block	0 : None 1 : + Gauge block
<span style="border: 1px solid black; padding: 2px 8px;">6</span> Option	0 : None 1 : + Position Transmitter
<span style="border: 1px solid black; padding: 2px 8px;">7</span> Operating Temp. (Non-explosion proof) <sup>1)</sup>	S : -30 ~ 85°C

<sup>1)</sup> This option is just the normal operating temperature of the product and is not related to explosion proof temperature. See “2.6 Certificates” for explosion proof temperature.



## 2.5 Product Specification

Model	RE20	
Housing Material	Body : Aluminum Cover : Polycarbonate	
Motion Type	Linear	Rotary
Acting Type	Single / Double	
Input Signal	4~20mA DC	
Minimum Current Signal	3.2mA	
Supply Pressure	0.14 ~ 0.7 MPa (1.4 ~ 7 bar)	
Stroke	10 ~ 150 mm	55 ~ 110°
Impedance	Max. 500Ω @ 20mA DC	
Air Connection	Rc 1/4 or 1/4 NPT	
Gauge Connection	Rc 1/8 or 1/8 NPT	
Conduit Entry	G 1/2	
Ingress Protection	IP66	
Operating Temperature	-30°C ~ 85°C (-22°F ~ 185°F)	
Linearity	±0.5% F.S.	
Hysteresis	±0.5% F.S.	
Sensitivity	±0.2% F.S.	
Repeatability	±0.3% F.S.	
Flow Capacity	70 LPM (Sup.=0.14 MPa)	
Air Consumption	Below 2 LPM (Sup.=0.14 MPa @ idle)	
Output Characteristic	Linear, Quick Open, EQ%, User Set	
Vibration	No Resonance up to 100Hz @ 6G	
Humidity	5-95% RH @ 40°C	
Feedback Signal (Option)	4~20mA (DC 9~28V)	
Weight	1.7 kg (3.7 lb)	
Painting of base body	Polyester Powder Coating	





2.6 Parts and Assembly

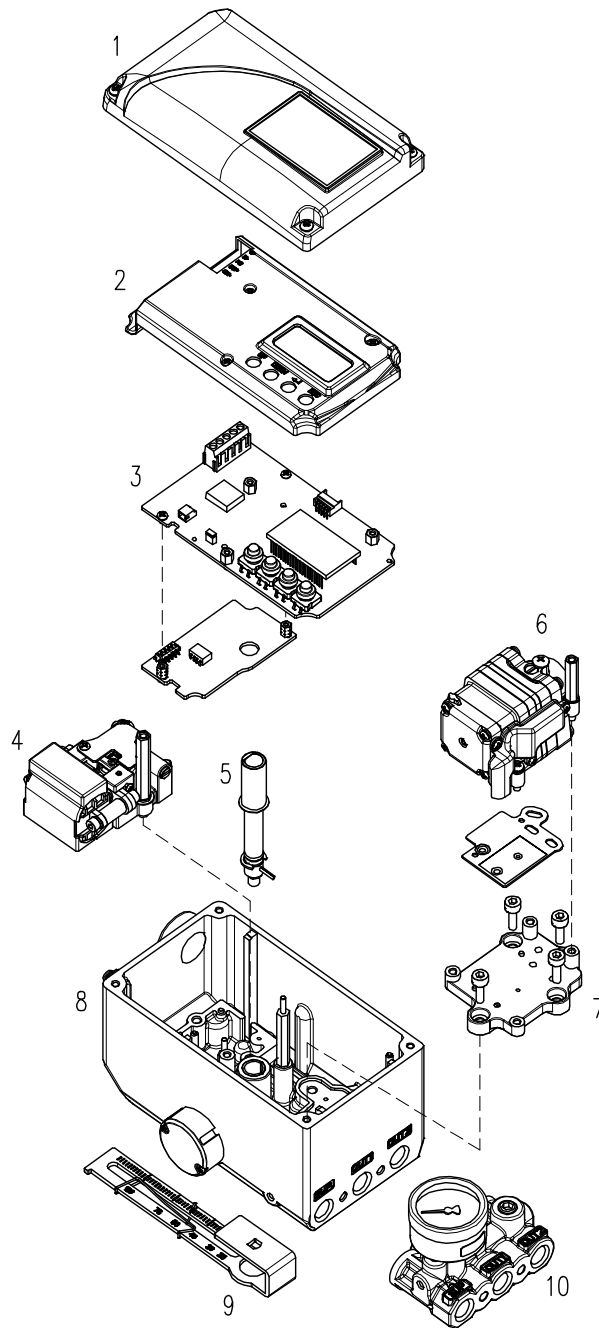


Fig. 2-1: exploded view

- |                 |                   |
|-----------------|-------------------|
| 1. Base Cover   | 6. Pilot          |
| 2. PCB Cover    | 7. Pilot Block    |
| 3. Main PCB     | 8. Base body      |
| 4. Torque Motor | 9. Feedback Lever |
| 5. Main Shaft   | 10. Gauge Block   |

2.7 Product Dimension

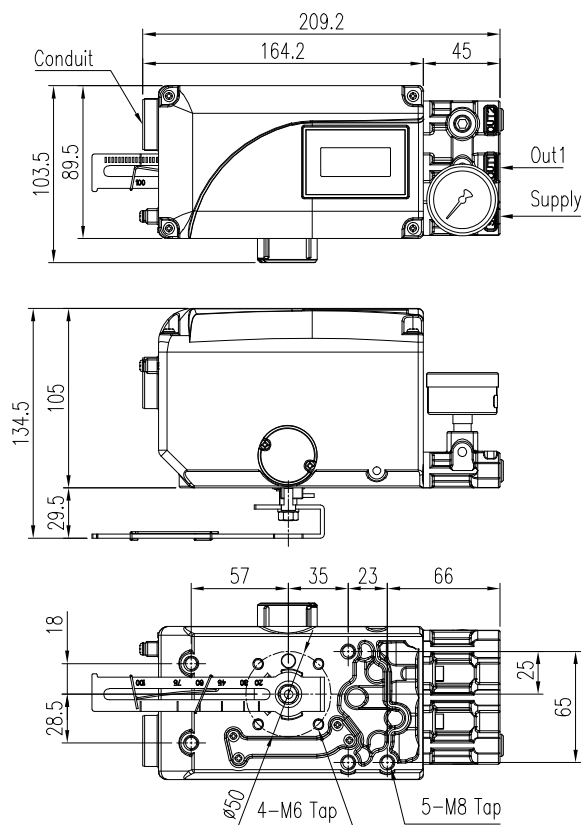


Fig. 2-2: RE20L

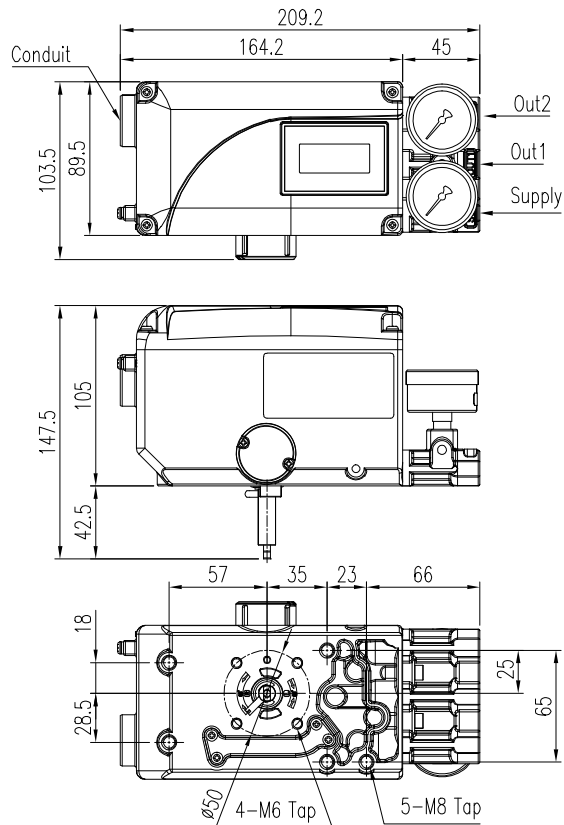


Fig. 2-3: RE20R

### 3. Installation

#### 3.1 Safety

When installing a positioner, please ensure to read and follow safety instructions.



- Any input or supply pressures to valve, actuator, and / or to other related devices must be turned off.
- Use bypass valve or other supportive equipment to avoid entire system “shut down”.
- Ensure there is no remaining pressure in the actuator.
- The positioner has a vent cover to exhaust internal air and drain internal condensation water. When installing the positioner, make sure the vent cover must be facing downward. Otherwise, the condensation water could cause damages to PCB.

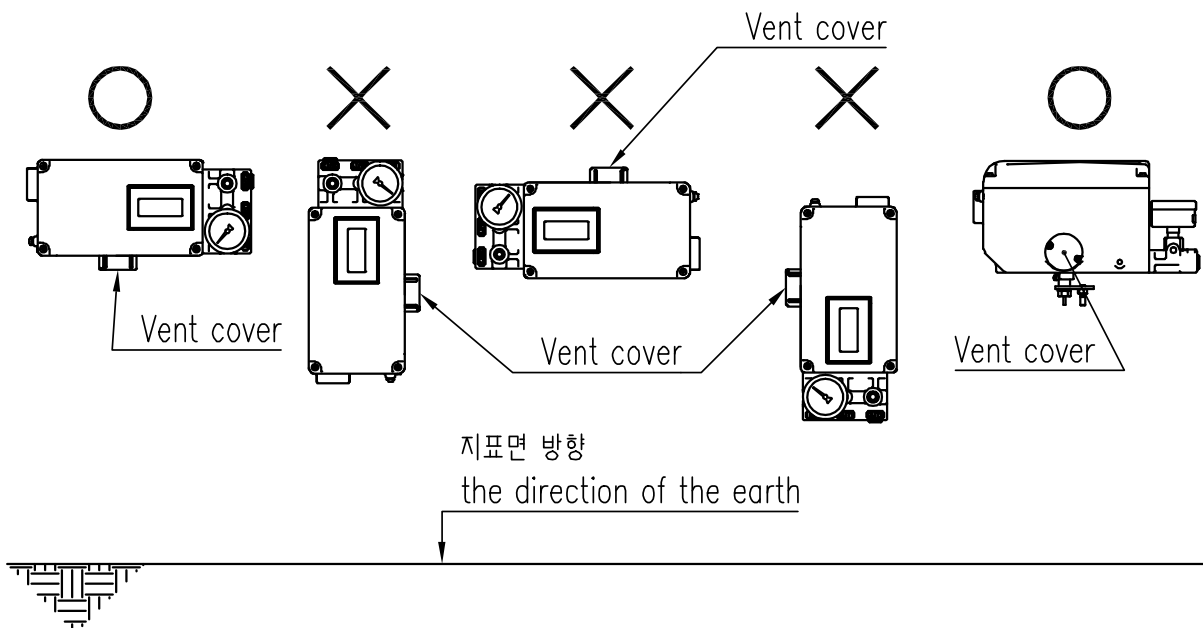


Fig. 3-1: The correct positions of a vent cover

#### 3.2 Tools for installation

- Hex key set for hex socket cap bolts
- (+) & (-) Screw drivers
- Spanners for hexagonal-head bolts

### 3.3 Linear positioner Installation

Linear positioner should be installed on linear motion valves such as globe or gate type which uses spring return type diaphragm or piston actuators.

#### 3.3.1 Linear positioner Installation of Standard lever type

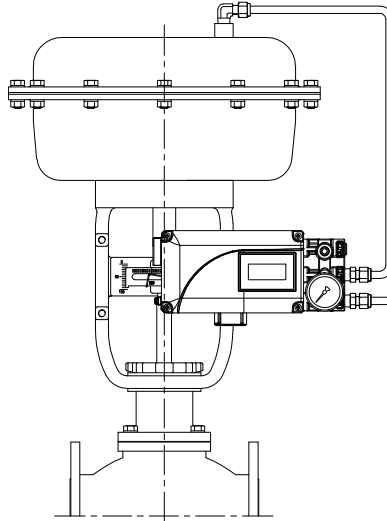


Fig. 3-2: installation example

Before proceeding with the installation, ensure following components are available.

- Positioner
- Feedback lever and lever spring
- M6 nut and spring washer (fastening feedback lever to a main shaft)
- Bracket, bolts and washers for positioner or sensor – not supplied with the positioner
- Connection bar – not supplied with the positioner

#### 3.3.2 Safety

Proper bracket must be made in order to adapt the positioner on the actuator yoke.

Please consider following important points when a bracket is being designed.

- Positioner's feedback lever must be vertical to the valve stem at 50% of the valve stroke.
- The connection bar of the actuator clamp for the feedback lever should be installed in such a way that the valve stroke length coincides with the corresponding figure in "mm" marked on the feedback lever. Improper setting may cause poor linearity



### 3.3.3 Standard lever type positioner Installation Steps

1. Assemble the positioner with the bracket made in previous step by fastening the bolts.

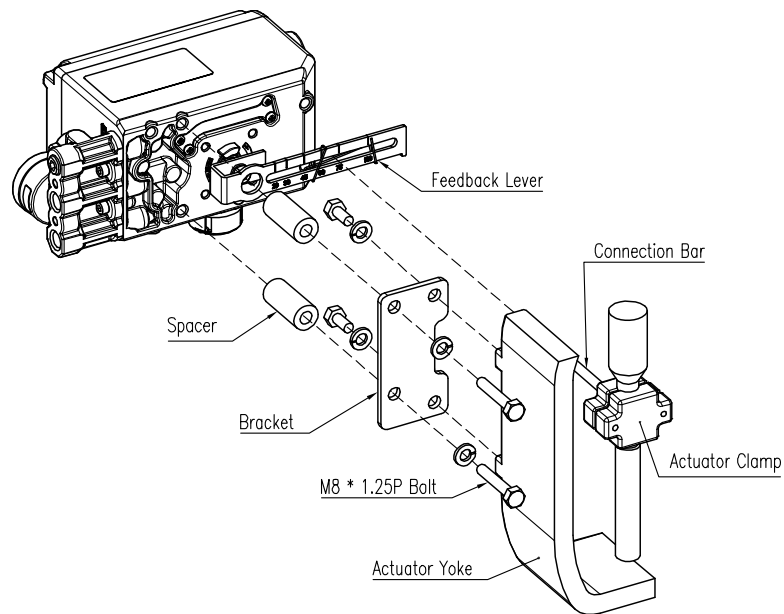


Fig. 3-3: Linear (Standard Lever Type)

2. Attach the positioner with the bracket to the actuator yoke  
– **DO NOT TIGHTEN THE BRACKET COMPLETELY.**
3. Connect connection bar to the actuator clamp. The hole gap on the feedback lever is 6.5mm so the connection bar's outer diameter should be less than 6mm.

4. Connect an air-filter regulator to the actuator temporarily. Supply enough air pressure to the actuator in order to position the valve stroke at 50% of the total stroke.

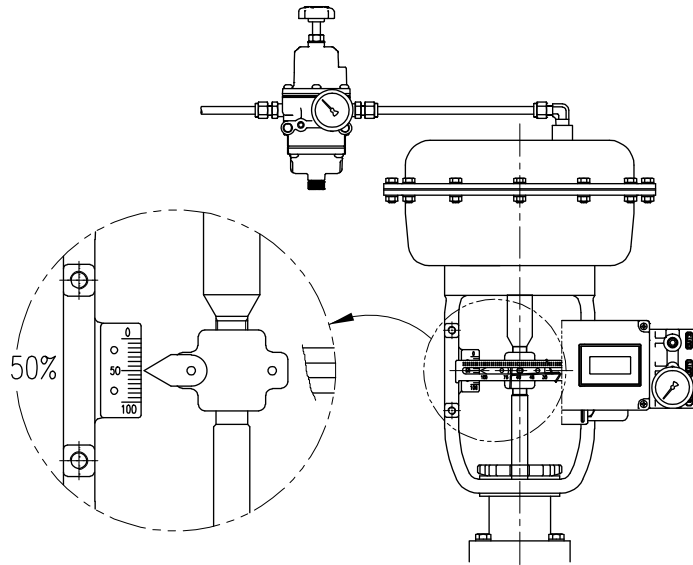


Fig. 3-4: Linear (Standard Lever Type)

5. Insert the connection bar between the feedback lever and lever spring. The connection bar must be located upward from the lever spring as shown below left figure. If it is located downward from the lever spring as shown below right figure, the connection bar or the lever spring will be worn out quickly because of excessive strong tension.

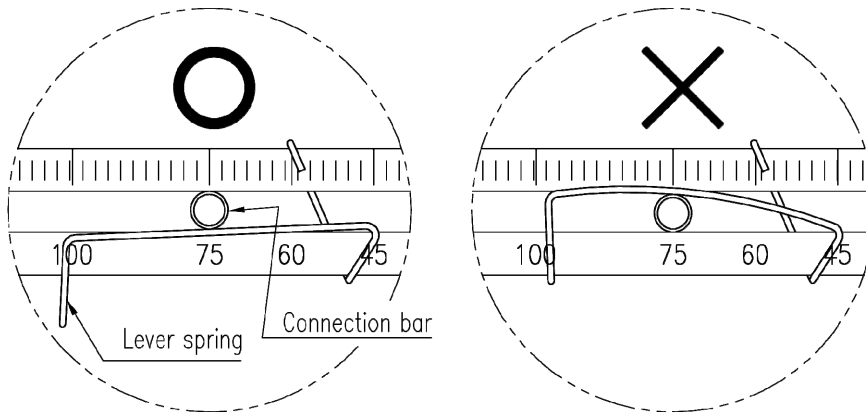


Fig. 3-5: Proper way to insert connection bar between feedback lever and lever spring



6. Check if feedback lever is vertical to the valve stem at 50% of the valve stroke. If it is not vertical, adjust the bracket or the connection bar to make vertical. Improper installation may cause poor linearity.

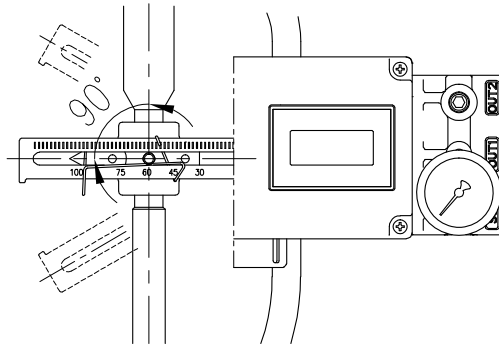


Fig. 3-6: Linear feedback lever and valve stem

7. Check the valve stroke. The stroke numbers are engraved on the feedback lever of the positioner. Position the connection bar at the number on the feedback lever which corresponds with the desired valve stroke. To adjust, move the bracket, the connection bar or both.

※ The effective linear feedback lever angle is 60 degree

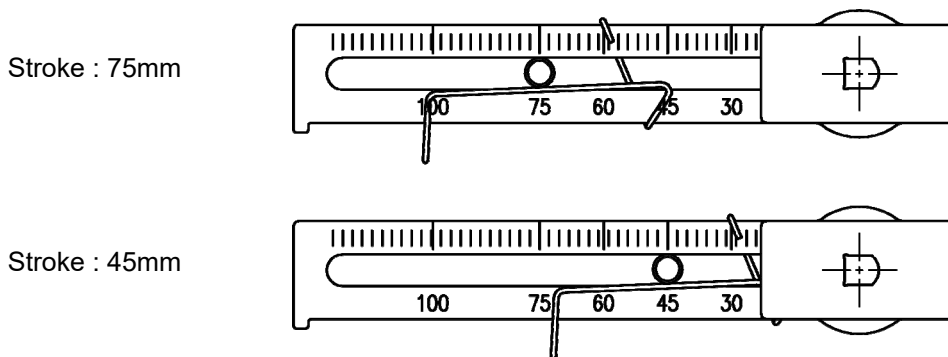


Fig. 3-7: Linear feedback lever and location of the connection bar



8. After installing the positioner, operate the valve from 0% to 100% stroke by using direct air to the actuator. On both 0% and 100%, the feedback lever should not touch the lever stopper, which is located on the backside of the positioner. If the feedback lever touches the stopper, the positioner should be installed further away from the center of the actuator.

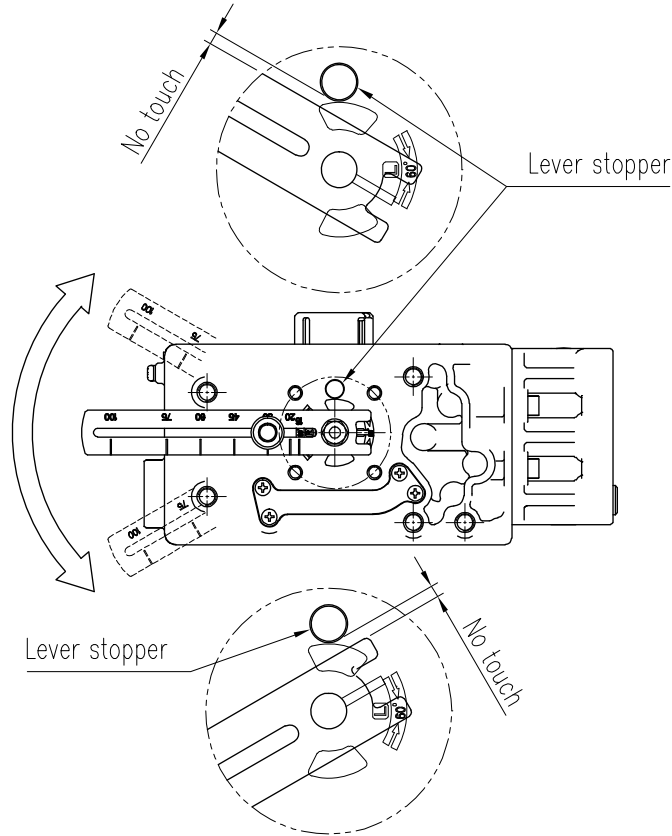


Fig. 3-8: Feedback lever should not touch lever stopper on 0% ~ 100% valve stroke.

9. After the installation, tighten all of the bolts on the bracket and the connection bar.

### 3.4 Rotary positioner Installation

Rotary positioner should be installed on rotary motion valve such as ball or butterfly type which uses rack and pinion, scotch yoke or other type of actuators which its stem rotates 90 degrees. Before proceeding with the installation, ensure following components are available.

#### 3.4.1 Components

- Positioner
- Rotary bracket set (2 piece)
- 4 pcs x wrench headed bolts (M6 x 1P x 10L) : For the positioner and the upper bracket
- 4 pcs x wrench headed bolts (M6 x 1P x 15L) : For the bracket set
- 4 pcs x M6 nuts : For the bracket set
- 4 pcs x M6 spring washers : For the bracket set
- Bolts and washers to attach bracket to actuator – not supplied with the positioner

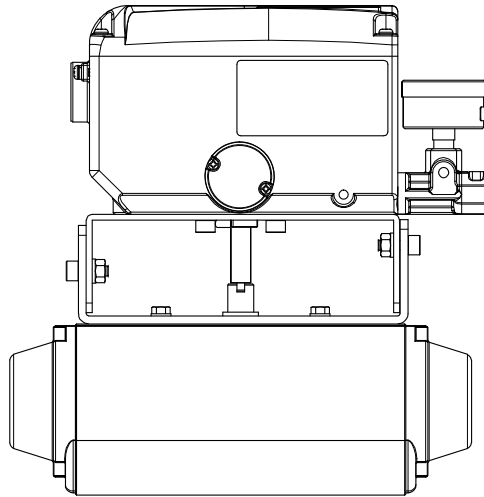


Fig. 3-9: Rotary Namur type

### 3.4.2 Rotary Bracket Information



The rotary bracket set (included with the positioner) contains two components. (but the upper brackets of Fork lever type and Namur type are different). The bracket is designed to fit onto the actuator with 20mm, 30mm and 50mm stem height (H) according to VDI/VDE 3845 standard. Please refer to below table how to adjust the height of the bracket.

Actuator stem height (H)	Markings of bolt holes			
	A-L	B-L	A-R	B-R
20mm	H : 20	H : 20, 30	H : 20	H : 20, 30
30mm	H : 30	H : 20, 30	H : 30	H : 20, 30
50mm	H : 50	H : 50	H : 50	H : 50

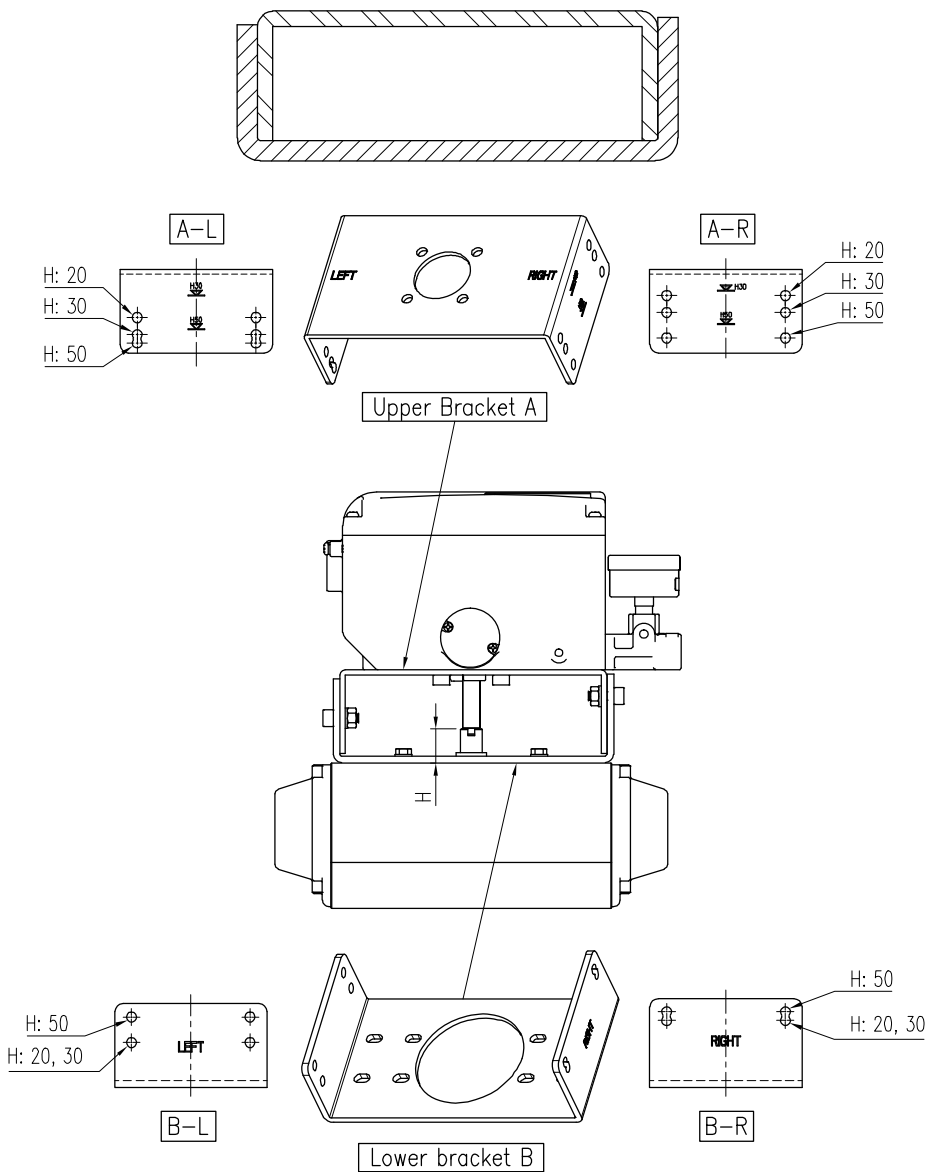


Fig. 3-10: Rotary brackets and positioner

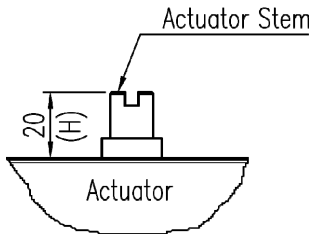


Fig. 3-11: Actuator stem Height

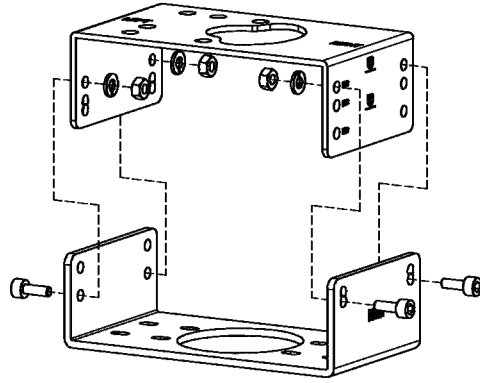


Fig. 3-12: Exploded Brackets

### 3.4.3 Rotary positioner Installation Steps

1. Please check the actuator's stem height and adjust the brackets by referring to the above bracket table.
2. Attached the brackets onto the actuator. It is recommended to use spring washer so the bolts will not be loosen from vibration.
3. Set rotation position of the actuator stem at 0%. For single acting actuator, it is easy to check 0% point by supplying no pressure to the actuator. For double acting actuator, check actuator stem's rotation direction – clockwise or counter-clockwise - by supplying pressure to the actuator.



4. Attach the positioner to the bracket. Setting alignment of center of main shaft of the positioner and center of the actuator's stem is very important. Poor alignment of the main shaft and the actuator's stem decreases the positioner's durability due to unnecessary forces on the main shaft.

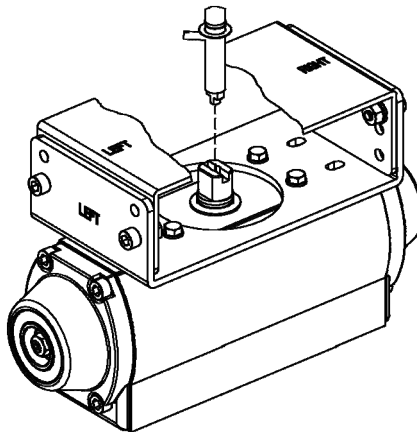


Fig. 3-13: Main shaft center alignment

5. Tighten the positioner and the bracket with bolts **after checking the positioner's position.**

## 4. Connection - Air

### 4.1 Safety

- Supply pressure should be clean and dry air – avoiding moisture, oil and dust.
- Always recommended to use air filter regulator (i.e. FR10 series).
- **OMC has not tested positioner's operation with any other gases other than clean air. Please contact OMC for any questions.**

### 4.2 Supply Pressure Condition



- Dry air with dew point of at least 10°C lower than ambient temperature.
- Avoid from dusty air. Use 5 micron or smaller filter.
- Avoid oil.
- Comply with ISO 8573-1 or ISA 7.0.01.
- Supply pressure range is 0.14 ~0.7 MPa (1.4 ~ 7 bar)
- Set air filter regulator's pressure level 10% higher than actuator's spring range pressure.

### 4.3 Piping Condition



- Ensure inside of pipe is clean of obstructions.
- Do not use pipeline that is squeezed or shows any type of damages.
- Pipeline should have more than 6mm of inner diameter (10mm outer diameter) to maintain flow rate.
- The length of pipeline system should not be extremely long. Longer pipeline system may affect flow rate due to the friction inside of the pipeline.

### 4.4 Connection – Piping with actuator

#### 4.4.1 Single acting actuator

Single acting type positioner is set to use only OUT1 port. OUT1 port of positioner should be connected with supply port of actuator when using spring return actuator of single acting type.

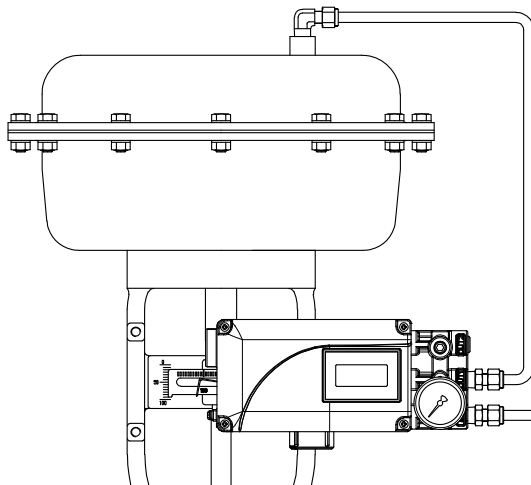


Fig. 4-1: Single acting linear actuator

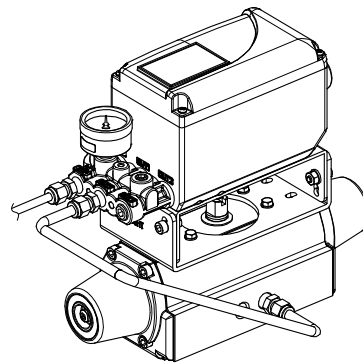


Fig. 4-2: Single acting rotary actuator

#### 4.4.2 Double acting actuator

Double acting type positioner is set to use OUT1 and OUT2 port. As input signal increases, the supply pressure will be supplied through OUT1 port.

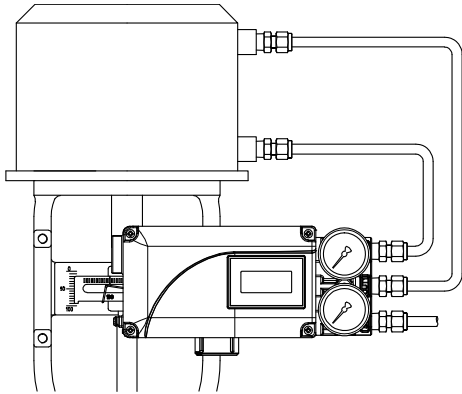


Fig. 4-3: Double acting linear actuator

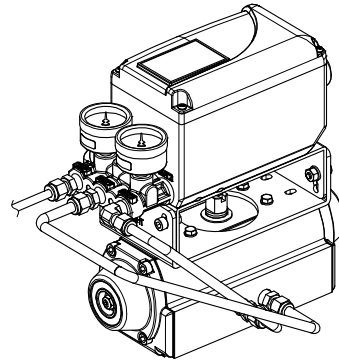


Fig. 4-4: Double acting rotary actuator

## 5. Connection – Power

### 5.1 Safety



- Before connecting terminal, ensure that the power is off completely.
- Please use ring terminal to protect against vibration or any other external impact.
- Positioner usually uses 4~20mA DC. Minimum ampere of input signal of positioner is 3.2 mA but maximum ampere of input signal should be 24mA or under.
- Positioner with PTM options must be supplied with **9~28V DC** separately.
- DO NOT connect Voltage source (9~28V DC) to Input (4~20mA DC) terminal (IN+, IN-) as it will cause PCB failure.
- Positioner should be grounded.
- Please use twisted cable with conductor section are 1.25mm<sup>2</sup> and that is suitable for 600V (complying with the conductor table of NEC Article 310.) The outer diameter of the cable should be between 6.35 ~ 10mm. Use shield wire to protect against electro-magnetic field and noise.
- Please do not install the cable near high noise equipment, such as high-capacity transformer or motor.
- Please ensure that keep away magnetic materials from a product. It may cause malfunction. For a magnetic screwdriver, It must be away more than 30cm from a product cover.

### 5.2 Connection

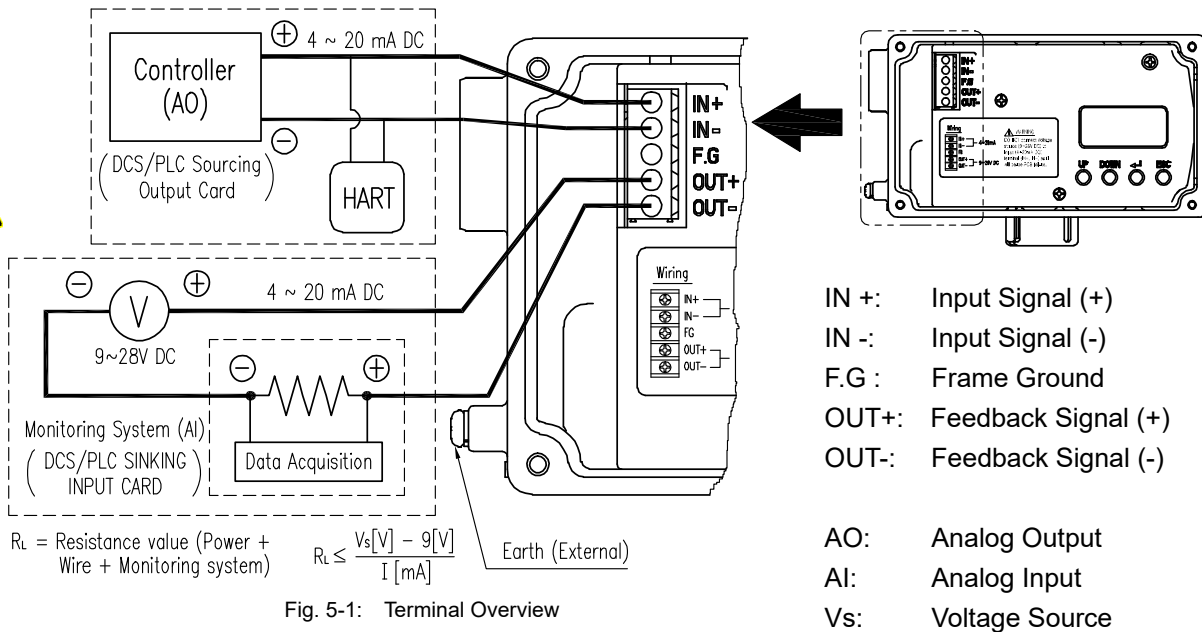


Fig. 5-1: Terminal Overview

### 5.3 Ground

1. Ground must be done before operating the positioner.
2. Open base cover and there is an internal ground "F.G" on the left hand.  
An external ground bolt is located next to the conduit entry. Please make sure that the resistance is less than 100 ohm.



## 6. Adjustments

### 6.1 Orifice Installment

Hunting can be occurred when the actuator's volume is too small. In order to prevent hunting, orifice can be used.

#### 6.1.1 Plate type Orifice Installment

By installing the plate type orifice, the flow rate of the supply pressure to actuator can be reduced. The diameter of orifice hole is 1 mm.

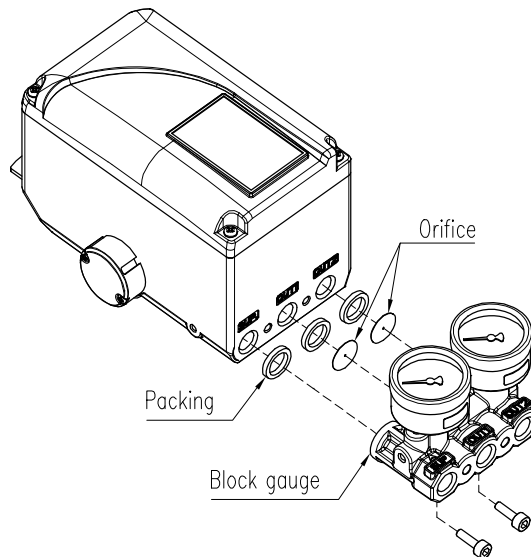


Fig. 6-1: Plate type Orifice installment

## 7. Optional Sub-PCB Installment

By adding sub-PCB, the positioner can have an additional PTM function.

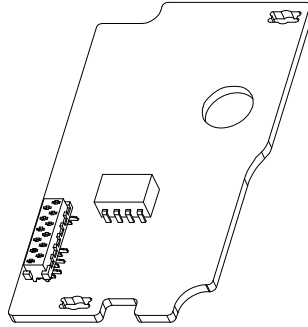


Fig. 7-1: Sub-PCB of PTM

When purchasing option a sub-PCB separately, 4 Bolts and 2 supports are supplied together with sub-PCB.

### 7.1 Installation steps

1. Mount 2ea of sub-PCB support on sub-PCB with 2ea of bolt.
2. Open base cover, PCB cover. Separate the Main PCB from base body.
3. Insert connector of sub-PCB into connector of main PCB correctly.
4. Fasten sub-PCB with the rest of bolt 2ea.

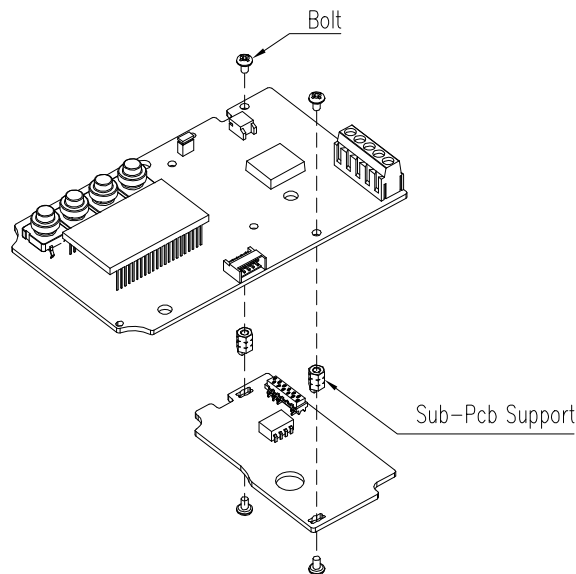


Fig. 7-2: Installation of Option PCB on Main PCBs

5. After PTM sub-PCB is installed newly, values of TR\_ZERO and TR\_END must be calibrated for correct output signals. For the calibration of TR\_ZERO and TR\_END, please refer to section 8.7.2 of this manual.

## 8. Auto Calibration and PCB Operation

### 8.1 Warning



Following process will operate valve and actuator. Make sure to disconnect the Valve from the system prior to the automatic calibration (AutoCal) to prevent any disruption of the process since this operation shall move the Valve and Actuator.

### 8.2 LCD display and buttons

#### 8.2.1 LCD display and symbols

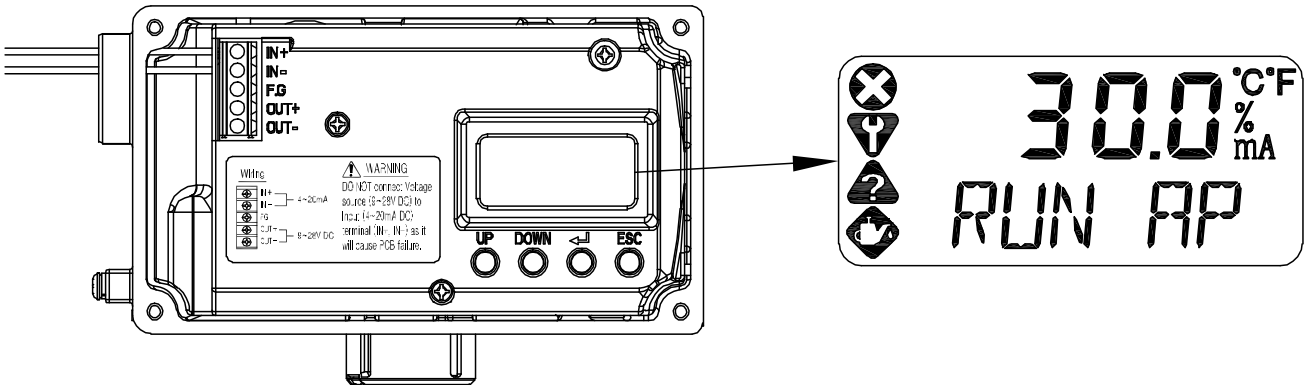






Fig. 8-1:

Symbols	Description	Symbols	Description
	Failure	°C	Degree in Celsius
	Functional Check	°F	Degree in Fahrenheit
	Out of Specifications	%	Percent
	Maintenance Required	mA	Current in mA

The four symbols located on the left are the symbols that display alarm messages classified in four groups in accordance with NAMUR NE107.

8.2.2 Button and function

Positioner has 4 buttons, and they enable to perform various functions.

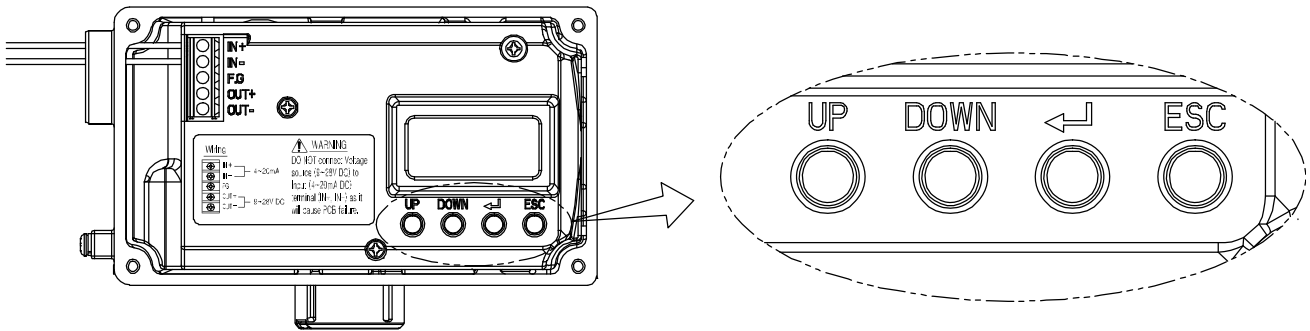
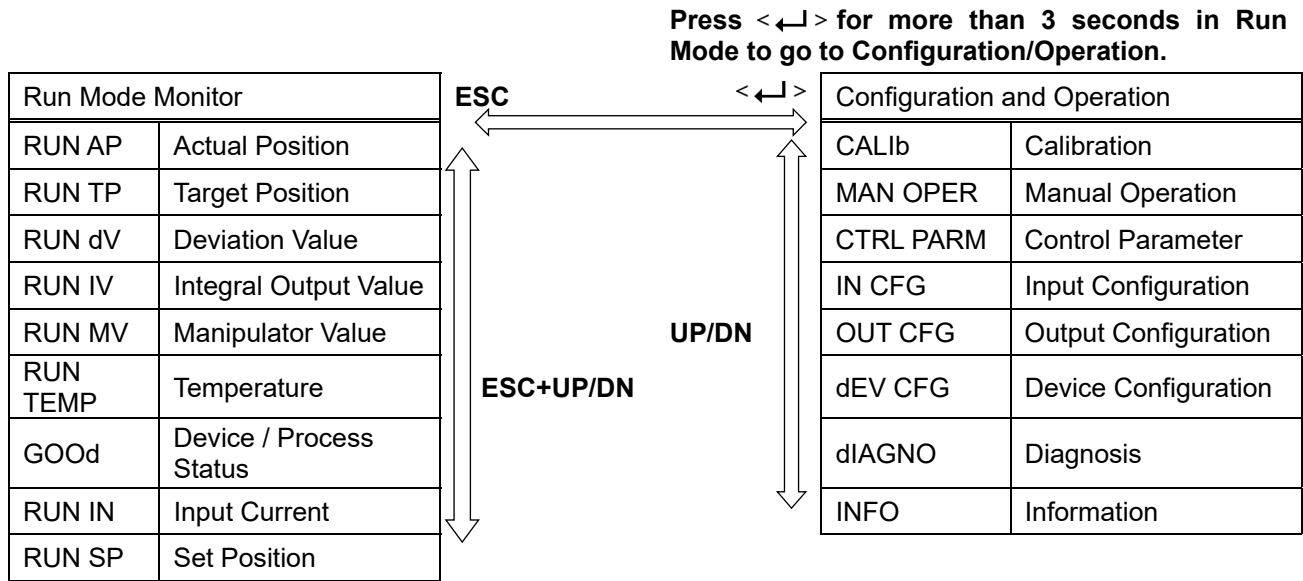


Fig. 8-2:

Buttons	Function
UP	Used to navigate to each menu at the same level or to increase the value of the selected parameter.
DOWN	Used to navigate to each menu at the same level in reverse order of UP button or to decrease the value of the selected parameter.
<↵> ENTER	Use to select the current menu or function, or to store the value of a modified parameter.
ESC	Used go directly to parent menu from current menu.

### 8.3 Menu levels

The basic menu structure consists of the RUN Mode Monitor and the Configuration/Operation. The Run Mode Monitor menu allows you to monitor the values of various variables. The Configuration/Operation menu provides calibration and tuning, manual operation, configuration of I/O port function, configuration and self-test of positioner, configuration of diagnostic function, and basic information of the positioner. See below for information on how to move between Run Mode Monitor menu and Configuration/Operation menu, and move within Run Mode Monitor menu.



Press the <↵> button to select the lower menu of the Configuration/Operation menu. Press the ESC button to return to parent menu after completing configuration. Pressing the ESC button anywhere in the menu structure several times returns the user to the uppermost menu, Run Mode Monitor menu.

### 8.4 RUN Mode Monitor

The RUN Mode Monitor is displayed on the LCD display when power is provided to the positioner. Pressing the UP/DOWN button scrolls through the various process variables shown in table below. A "30.0%" in the LCD display below indicates that the valve is in the 30% position, and an "AP" indicates the abbreviation of "Actual Position".



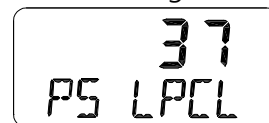
The status variables displayed in the RUN Mode Monitor are divided into nine types as shown below.

On LCD	Name	Description
RUN AP [%]	Actual Position	Actual position of the valve indicated as %.
RUN TP [%]	Target Position	Target position in %
RUN dV [%]	Deviation Value	Deviation between target position and actual position.
RUN IV	Integral Output Value	Accumulated integral output value
RUN MV	Manipulator Value	Digital input value applied to I/P converter
RUN TEMP[°C]	Temperature	Internal temperature of positioner in °C.
** dS XXXX (PS XXXX)	** : Alarm Code  dS: Device Status PS: Process Status  XXXX: Alarm abbreviation	The status of the current process or positioner is shown with English letter XXXX. Normally, GOOd is displayed when there is no problem, but alarm or status is displayed in abbreviated words (MNTR, FAIL, OUTS, FUNC and so on) along with NE107 symbol when a state change or alarm occurs. Any of the alarms is displayed alternately each time the ENTER button is pressed. (See 8.14 Status and Alarm Code)
RUN IN [mA]	Input Current	Current input signal in mA
RUN SP [%]	Set Position	Input signal converted into %

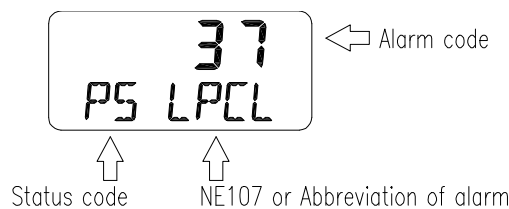
# Normal condition LCD display.



# When the condition changed or alarm occurred.



# Explaining contents of alarm display



## 8.5 Configuration and Operation

The Table below shows the eight Configuration/Operation menus, each submenu, ranges for each parameter, and initial factory settings. The words shown in [ ] for each menu represent the abbreviations of each word displayed when operating the LCD screen.

Level 1	Level 2	Range	Initial factory setting
Calibration [CALib]	Acting Type	[SINGLE, dOUbLE]	
	Auto Calibration 1 [AUTO 1]		
	Auto Calibration 2 [AUTO 2]		
	Travel Zero [TVL ZERO]		
	Travel End [TVL ENd]		
Manual Operation [MAN OPER]	Manual Operation by Set Position [MAN SP]		
	Manual Operation by Manipulator Value [MAN MV]		
Control Parameters [CTL PARM]	Dead Band [dEAdbANd]	0.1 ~ 10.0 [%]	0.3 %
	Proportional Gain, Upward [KP UP]	0.1 ~ 50.0	1
	Proportional Gain, Downward [KP dN]	0.1 ~ 50.0	1
	Integral Gain, Upward [TI UP]	0.1 ~ 50.0	1
	Integral Gain, Downward [TI dN]	0.1 ~ 50.0	1
	Differential Gain, Upward [Kd UP]	0.1 ~ 50.0	1
	Differential Gain, Downward [Kd dN]	0.1 ~ 50.0	1
	Auto Dead Band Mode [AUTO db]	oFF, [0%]	oFF
	Performance Mode [PER]	Stable, Normal, Fast [STbL, NORM, FAST]	NORM
Input Configuration [IN CFG]	Signal Direction [SIG]	Normal, Reverse [NORM, REVS]	NORM
	Split Range Mode [SPLIT]	4 ~ 20, 4 ~ 12, 12 ~ 20, Custom [4.20, 4.12, 12.20, CST]	4.20
	Custom Split Range Zero [CST ZERO]	4 ~ 20.0[mA]	4mA
	Custom Split Range End [CST ENd]	4 ~ 20.0[mA]	20mA



Level 1	Level 2	Range	Initial factory setting
Input Configuration [IN CFG]	Characterization [CHAR]	Linear, Quick Open, Equal Percent, User Set 5point, User Set 21point [LIN, QO, EQ, U5, U21]	LIN
	User Set Characterization 5p [USER 5P]		0%, 25%, 50%, 75%, 100%
	User Set Characterization 21p [USER 21P]		0%, 5%, 10%, ... 95%, 100%
	Tight Shut Open [TSHUT OP]	0.1 ~ 100 [%]	100.0 %
	Tight Shut Close [TSHUT CL]	0.1 ~ 100 [%]	0.3 %
Output Configuration [OUT CFG]	Position Transmitter Direction [PTM]	[NORM, REVS]	NORM
	Position Transmitter Zero [PTM ZERO]	0 ~ 100.00 [%]	
	Position Transmitter End [PTM ENd]	0 ~ 100.00 [%]	
	Back Calculation [bAKCAL]	[oFF, on]	oFF
Device Configuration [dEV CFG]	Action Change [ACT]	[dIR, REVS]	REVS
	Linear Interpolation [ITP]	[oFF, on]	on with Linear oFF with Rotary
	Write Protect [W]	[UNLOCK, LOCK]	UNLOCK
	View Mode [VI]	[NORM, REVS]	NORM
	Factory Reset [dEFAULT]		
	Self-Test [SELFTEST]		
Diagnosis [dIAGNO]	Device Status [dS]	GOOd, Refer to 8.14 Status and Alarm Code.	GOOd
	Reset Alarm Status [RST ALRM]		
	View Event Log [EVT LOG]	RECORD 0 - 19	1
Information [INFO]	Model Name [RE20*]		
	Firmware Version [SOFT VER]	*.*.*	Program current version
	Download Date	YYYYMMDD	Program input date
	Run Time [RT]	*.*.* RT *d	
	Upward Stroke Time [FULL OP]	*.*.*	
	Downward Stroke Time [FULL CL]	*.*.*	
	Position Sensor Type [PSNT]	PTN, NCS	
Absolute Position in Angle [AbS ANGL]	*.*.* °		



### 8.6 Calibration (CALib)

The calibration consists of five menus.

Calibration [CALib]	Acting Type [SINGLE/ dOUBLE]	Set manually single or double acting by actuator type
	Auto Calibration 1 [AUTO 1]	Calibration on the zero and end points of the valve
	Auto Calibration 2 [AUTO 2]	Calibration on all parameters required to operate the valve
	Travel Zero [TVL ZERO]	Manually adjust the zero point of the valve
	Travel End [TVL ENd]	Manually adjust the endpoint of the valve

Auto Calibration simplifies calibration without having to go through complex gain tuning. Once the current input between 4 and 20 mA is applied, it takes approximately 2-3 minutes to complete the automatic calibration, which may vary depending on the size of the actuator. There are two types of Auto Calibrations as shown below so that you select and use them as required.

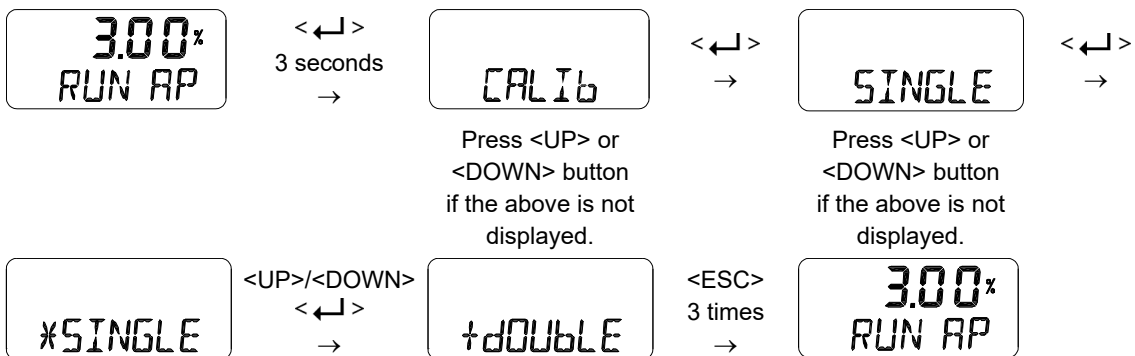
	ZERO	END	P, I, D gain	RA, DA	BIAS
AUTO 1	√	√			
AUTO 2	√	√	√	√	√

#### 8.6.1 Acting Type (SINGLE / dDOUBLE)

This is used to change the settings of the positioner to SINGLE or dDOUBLE, depending on the actuator type. The setting of the SINGLE and dDOUBLE affects the automatic calibration, so it must be set carefully considering the actuator type.

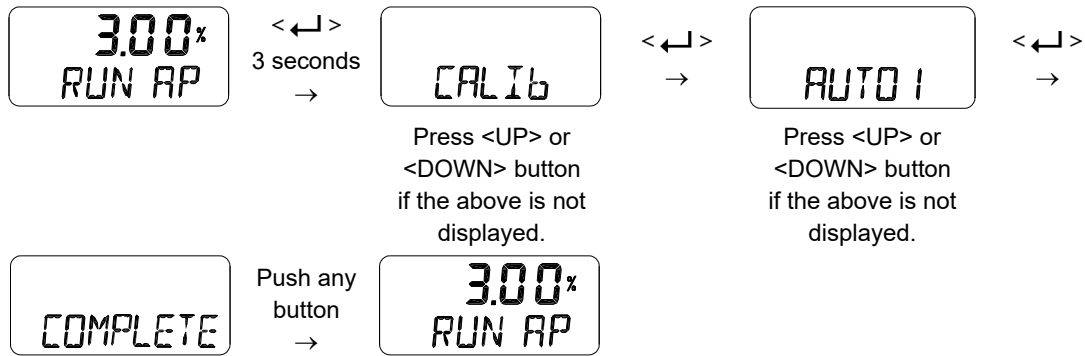


**When the actual acting types of Actuator is different with the setting values, make sure to fit the actual acting type with the currently operating Actuator type as the certain performance troubles may incur.**



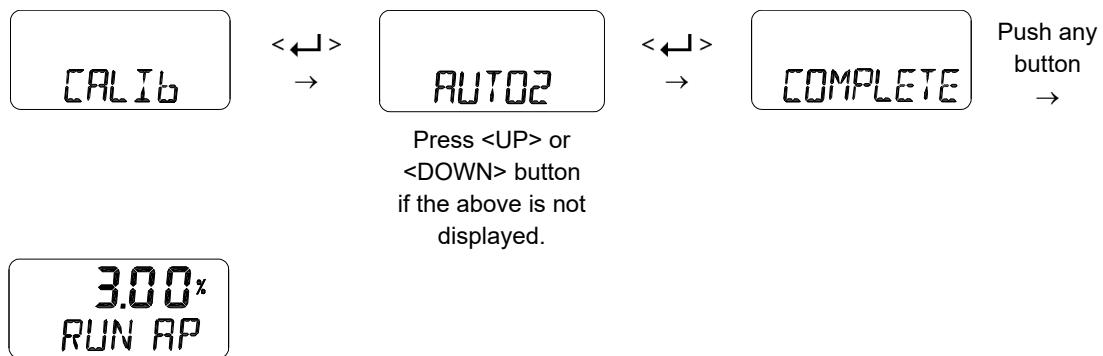
### 8.6.2 Auto Calibration 1 (AUTO 1)

AUTO 1 is used to set only the origin and end points. It does not change the PID and other parameter values that already have been set. This is usually used when the origin and end points of the already calibrated positioner have changed slightly.



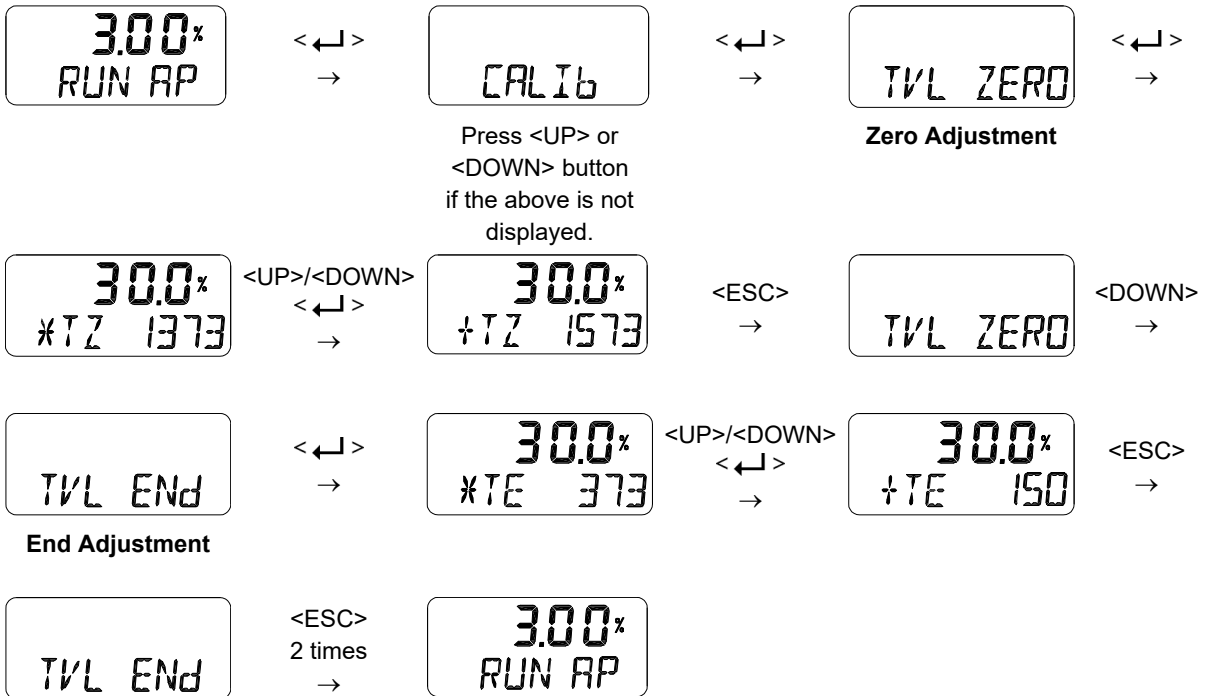
### 8.6.3 Auto Calibration 2 (AUTO 2)

AUTO 2 tunes up and then changes all parameters required for valve operation. Be sure to perform this AUTO 2 when installing the positioner on the valve for the first time or when reinstalling the positioner from the actuator.



### 8.6.4 Travel Zero (TVL ZERO) and Travel end (TVL END)

This is a manual adjustment of the zero point or endpoint of the valve after auto calibration. Once you enter the TRAVEL ZERO (or TRAVE END) setting, press the UP/DOWN button to change the zero point (or endpoint) of the valve, and then press the ENTER button to save it. The saved position is recognized as the zero (or endpoint) of the valve.



### 8.7 Manual Operation (MAN OPER)

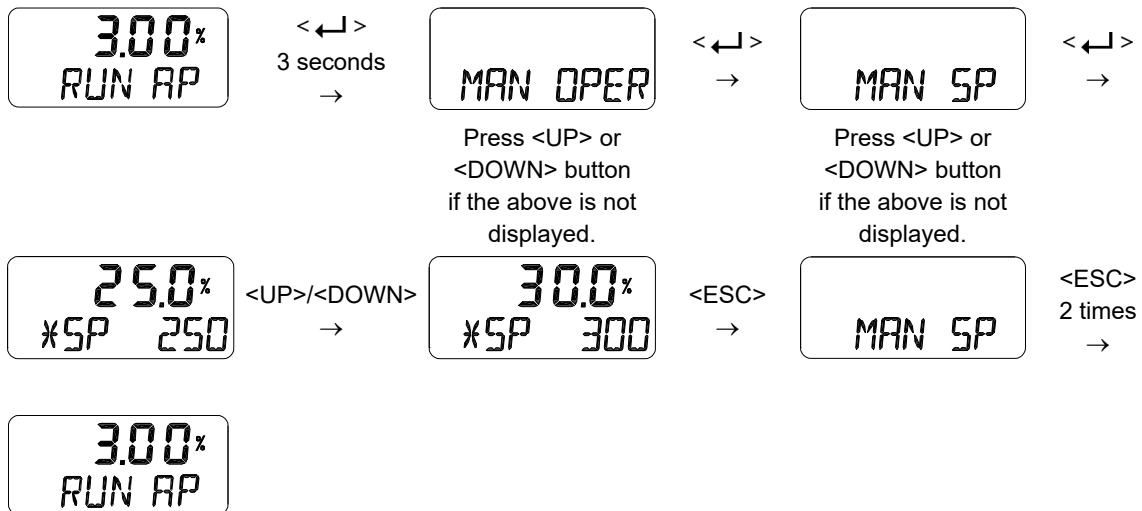
It is used to manually raise or lower the valve stem by operating the UP or DOWN buttons. This can be used to observe the move of valve stem without any external input signals. When engaged, the current input signal to the positioner has no effect on the positioner.



**Use the Manual only when the operation is suspended, or when no trouble is raised with the operation of Control Valve, as the execution of Manual Mode may interfere with the currently operating process.**

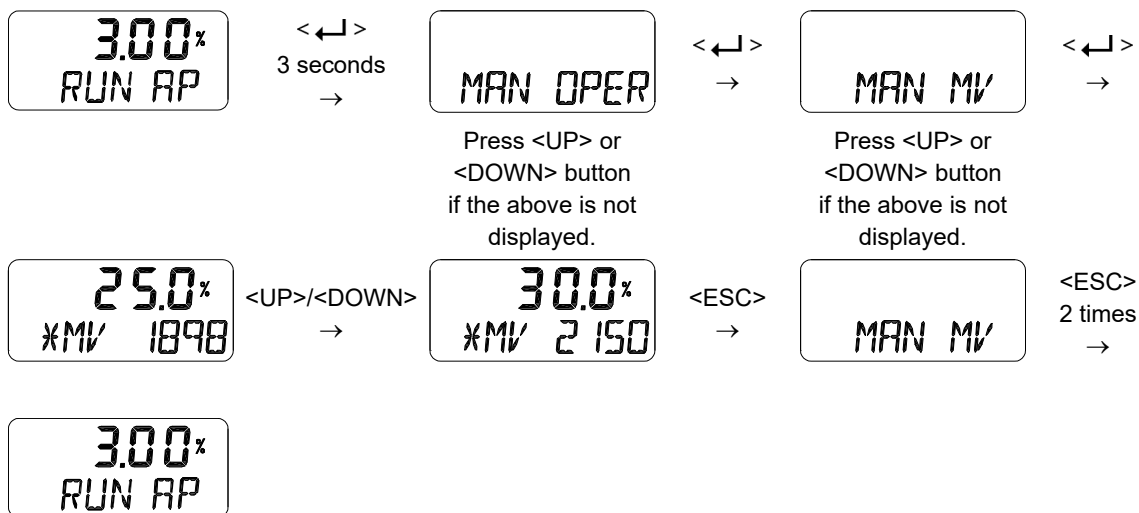
#### 8.7.1 Manual Operation by Set position (MAN SP)

The target position is incremented by the UP and DOWN buttons based on the currently entered set position values, which moves the stem of the valve up and down. Once out of the menu by <ESC>, the positioner is controlled again by an input signal.



### 8.7.2 Manual Operation by MV (MAN MV)

The input to I/P converter is incremented or decremented by the UP and DOWN buttons based on the currently entered I/P input value, which moves the stem of the valve up and down. Once out of the menu by <ESC>, the positioner is controlled again by an input signal.



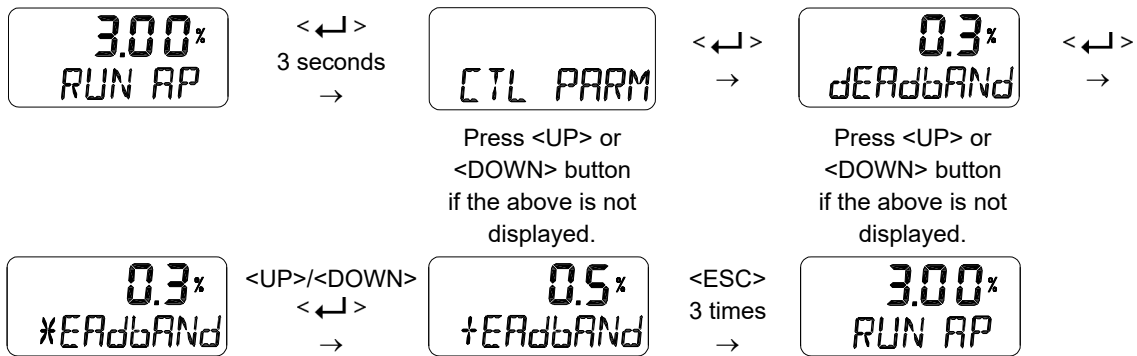
## 8.8 Control Parameters (CTL PARM)

Followings are the values changeable at the Control Parameters Mode.

- 1) Dead Band (dEAdbANd)
- 2) Forward P parameter (KP UP) and reverse P parameter (KP dN)
- 3) Forward Integral time parameter (TI UP) and reverse Integral time parameter (TI dN)
- 4) Forward D parameter (Kd UP) and reverse D parameter (Kd dN)
- 5) Auto Dead band Mode (AUTO db)
- 6) Performance Mode (PER)

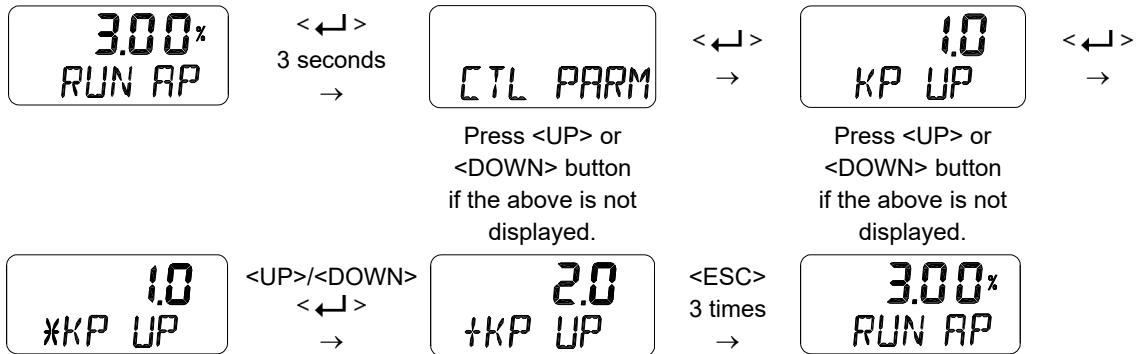
### 8.8.1 Dead Band (dEAdbANd)

Deadband indicates the size of the allowable deviation that is set near the target position. If the valve has large packing friction, this value can be adjusted and set accordingly to prevent the limit cycle caused by the friction. If the deadband is set to 0.5%, its range is  $\pm 0.5\%$  of the target.



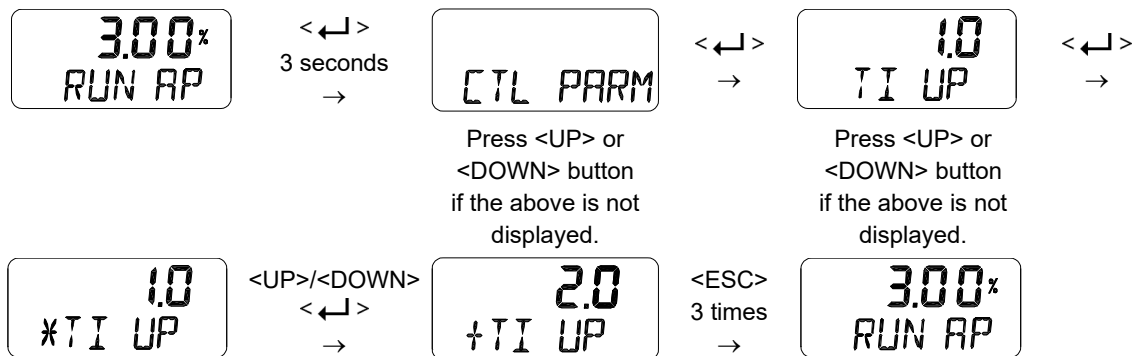
### 8.8.2 Forward P parameter (KP UP) and reverse P parameter (KP dN)

The KP parameter is the proportional control constant to the calibration signal to reduce the error between the target position and the current position, the KP UP is applied when the valve moves in the direction of increasing output air pressure, and KP dN is applied when the valve moves in the direction of venting output air pressure. A larger value of gains "KP UP" or "KP dN" moves the valve faster to reach a target position, but will tend to oscillate it if set to high. However, smaller gains improve stability, but make it slower to reach a target position.



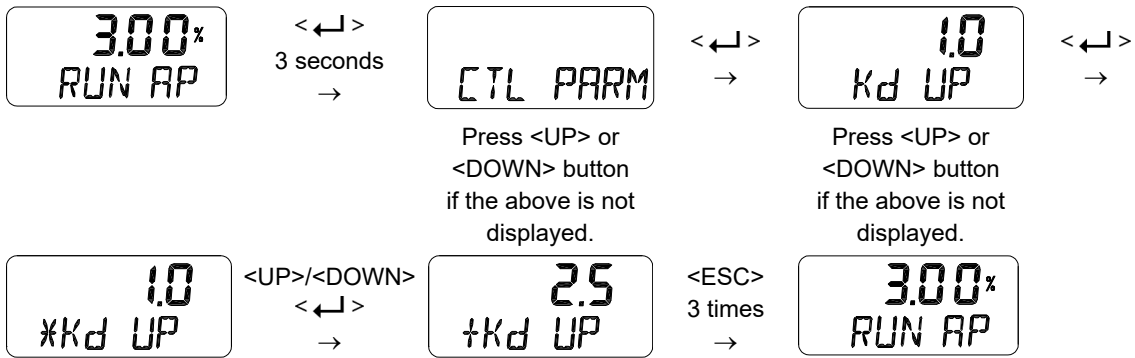
### 8.8.3 Forward Integral time parameter (TI UP) and reverse Integral time parameter (TI dN)

TI parameters are an integral value that add the error correction signal to the existing calibration signal, TI UP is applied when the valve moves in the direction of increasing the output air pressure, and TI DN is applied when the valve moves in the direction of decreasing the output air pressure. A smaller TI makes the valve faster to reach a target position and tends to cause oscillation.



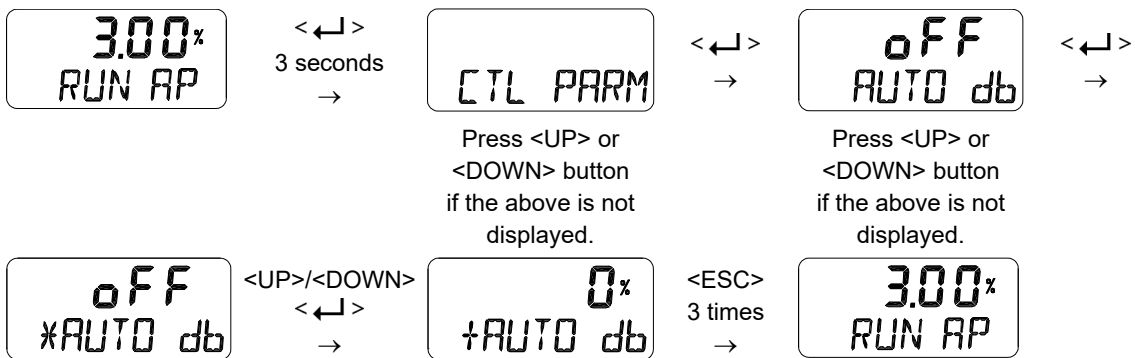
### 8.8.4 Forward D parameter (Kd UP) and reverse D parameter (Kd dN)

The Kd parameter is a differential value that adds the correction signal due to the rate of error to the existing calibration signal. Kd UP is applied when the valve moves in the direction of increasing output air pressure, and Kd dN is applied when the valve moves in the direction of decreasing output air pressure. A larger D value makes the valve hunting easier, and a smaller value can lead to poor linearity or dynamic properties.



### 8.8.5 Auto Dead band Mode (AUTO db)

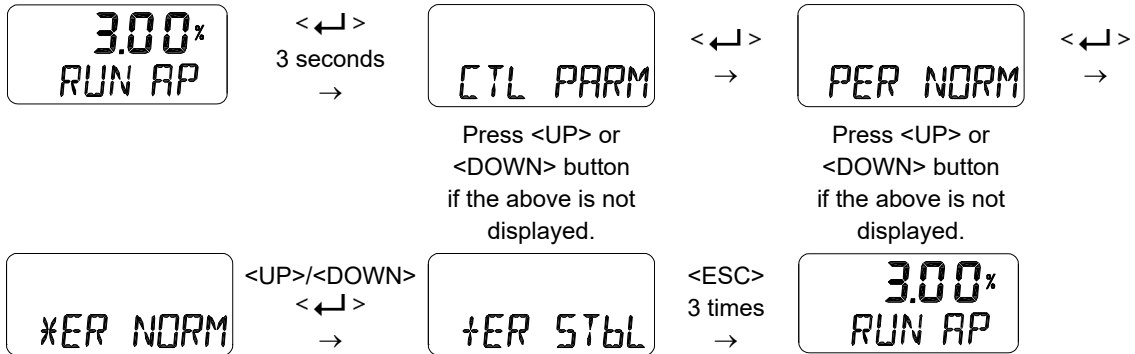
This function is used to suppress a hunting for valves with high static friction. The initial value is OFF and it shall be set to 0 % to activate the auto dead band automatically. The value is changed to a proper value once this mode is activated.





### 8.8.6 Performance Mode (PER)

This mode has three modes of operation: Stable, Normal, and Fast that allow you to select the required responsiveness. The performance modes in the order of Stable, Normal and Fast indicates the response characteristics from slow response to quick response.



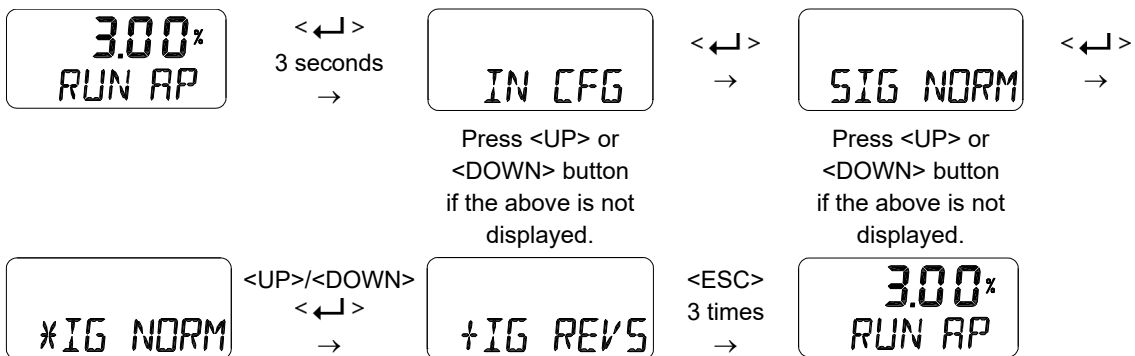
## 8.9 Input Configuration (IN CFG)

Followings are the values changeable at the Input Configuration Mode.

- 1) Signal Direction (SIG NORM / REVS)
- 2) Split Range Mode (SPLIT)
- 3) Custom Split Range Zero (CST ZERO)
- 4) Custom Split Range End (CST END)
- 5) Characterization Curves (CHAR)
- 6) User Set Characterization 5 Points (U5)
- 7) User Set Characterization 21 Points (U21)
- 8) Tight Shut Open (TSHUT OP)
- 9) Tight Shut Close (TSHUT CL)

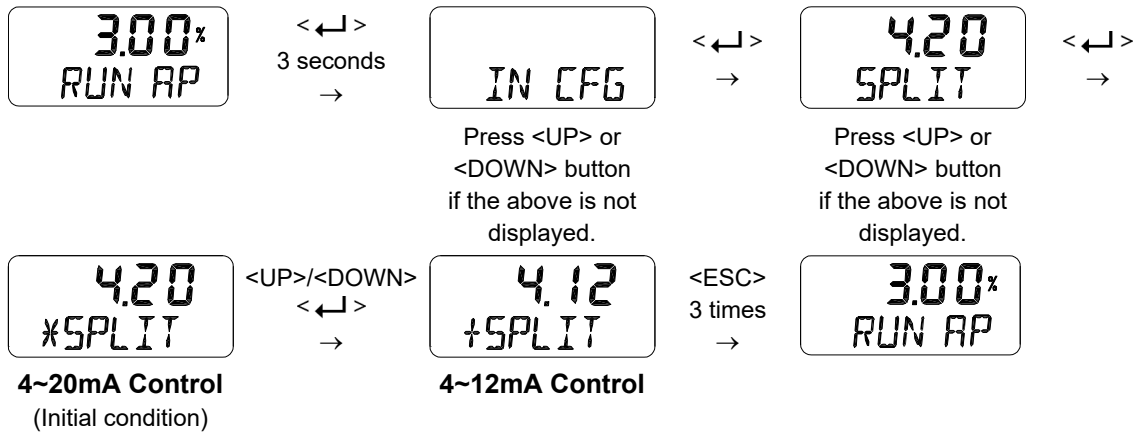
### 8.9.1 Signal Direction (SIG NORM / REVS)

This function changes the action type of the valve, NORM or REV. if NORM is selected, the air is completely released through output port 1 of the positioner when 4mA is applied, and the maximum air pressure is loaded to the actuator through output port 1 when 20 mA is applied. If set to REV, the maximum air pressure is loaded to the actuator via output port 1 when an input current of 4 mA is applied to the positioner.



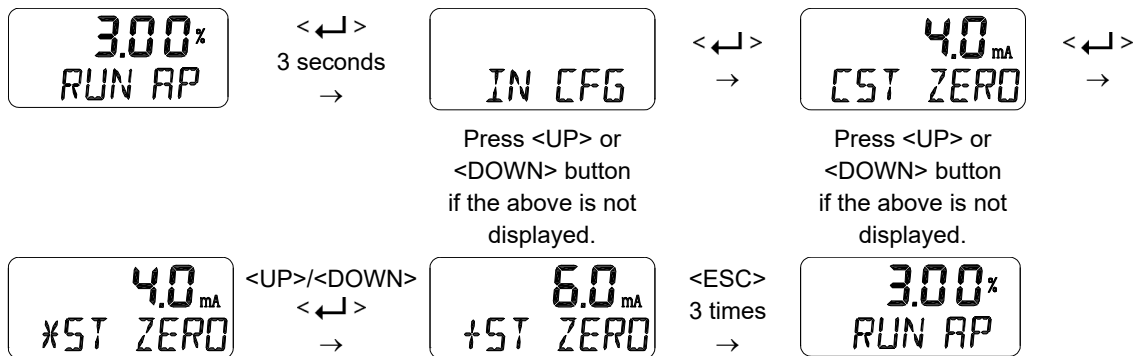
### 8.9.2 Split Range Mode (SPLIT)

This is used to set the range of the input signal to control the entire stroke of the valve. You can select one of the four input signals that consists of 4-20 mA, 4-12 mA, 12-20 mA, and user settings (Custom, CSt). 4-20 mA is the factory setting.



### 8.9.3 Custom Split Range Zero (CST ZERO)

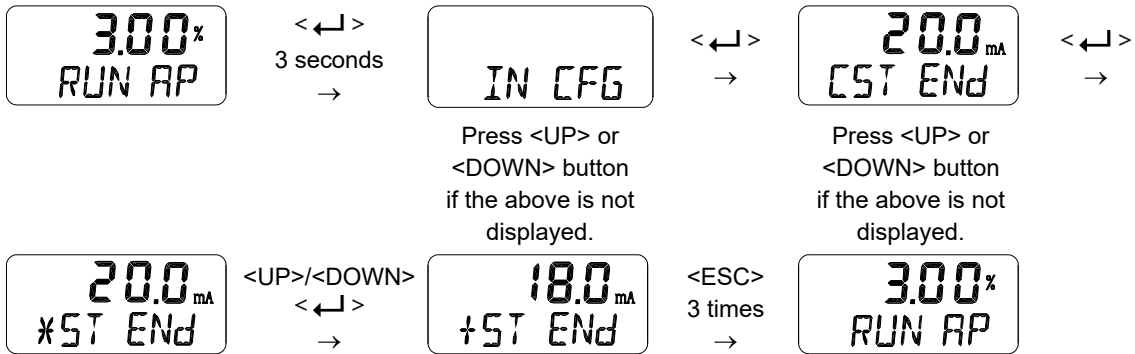
It is used to set the current corresponding to the zeropoint when the valve position of 0 to 100% is controlled by the user-set CUSTOM. For example, if the valve is controlled by 6-20 mA instead of 4-20 mA, CST ZERO is 6 mA. However, the difference of the current between the origin point and the endpoint must be greater than 4 mA.



This function is activated by saving the Split Range Mode (SPLIT) of above Section 8.9.2 as “CSt”.

### 8.9.4 Custom Split Range End (CST END)

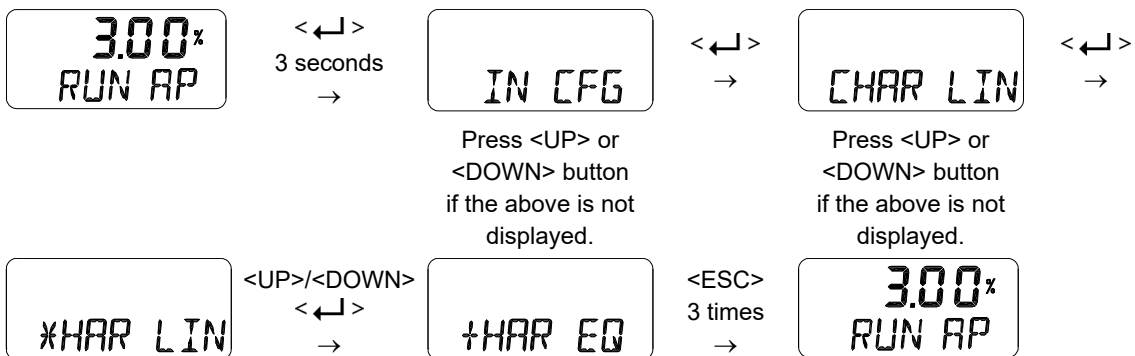
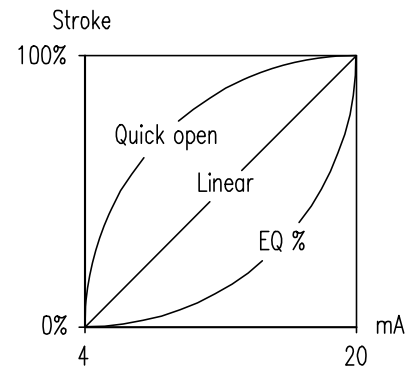
It is used to set the current corresponding to the endpoint when the valve position of 0 to 100% is controlled by the user-set CUSTOM. For example, if the valve is controlled by 4-18 mA instead of 4-20 mA, CST END is 18 mA. However, the difference of the current between the origin point and the endpoint must be greater than 4 mA.



This function is activated by saving the Split Range Mode (SPLIT) of above Section 8.9.2 as “CSt”.

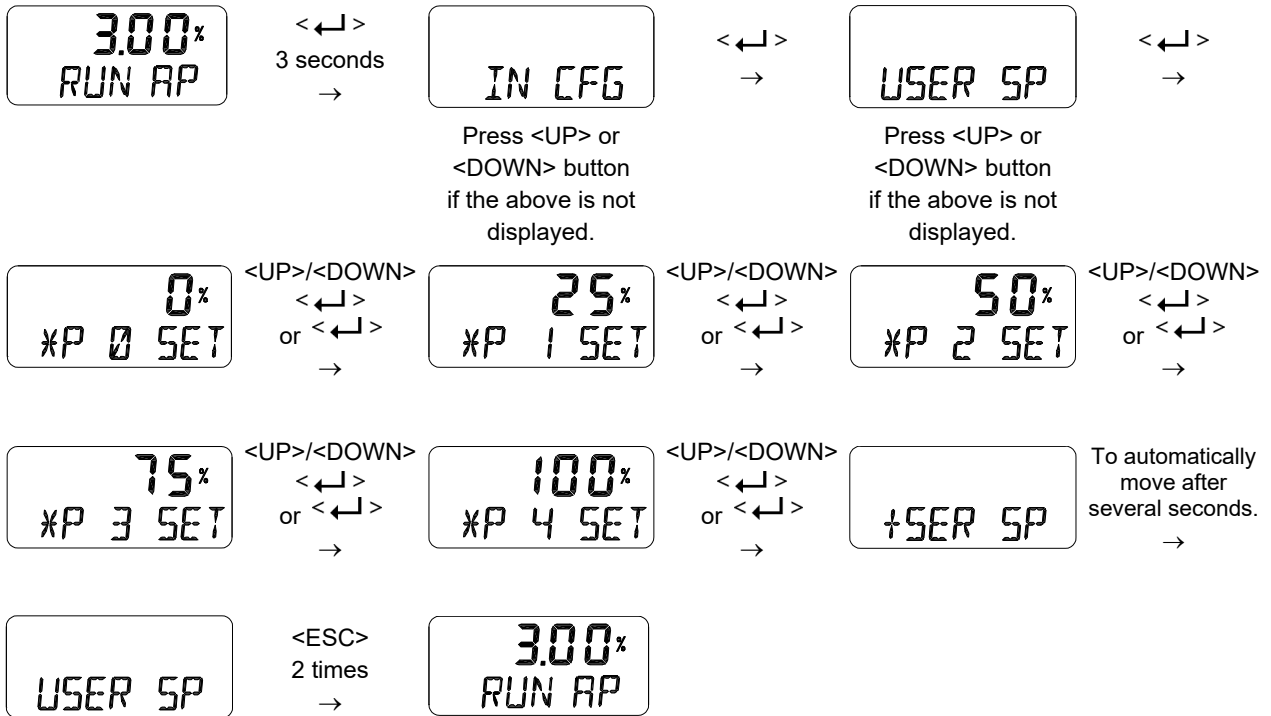
### 8.9.5 Valve Flow Characterization Curves (CHAR)

The flow characteristic curve of valve is available by selecting one of the following: Linear(LIN), Quick Open(QO), Equal Percentage(EQ), User Set Characterization 5 Points (U5), User Set Characterization 21 Points(U21).



### 8.9.6 User Set Characterization 5 Points (U5)

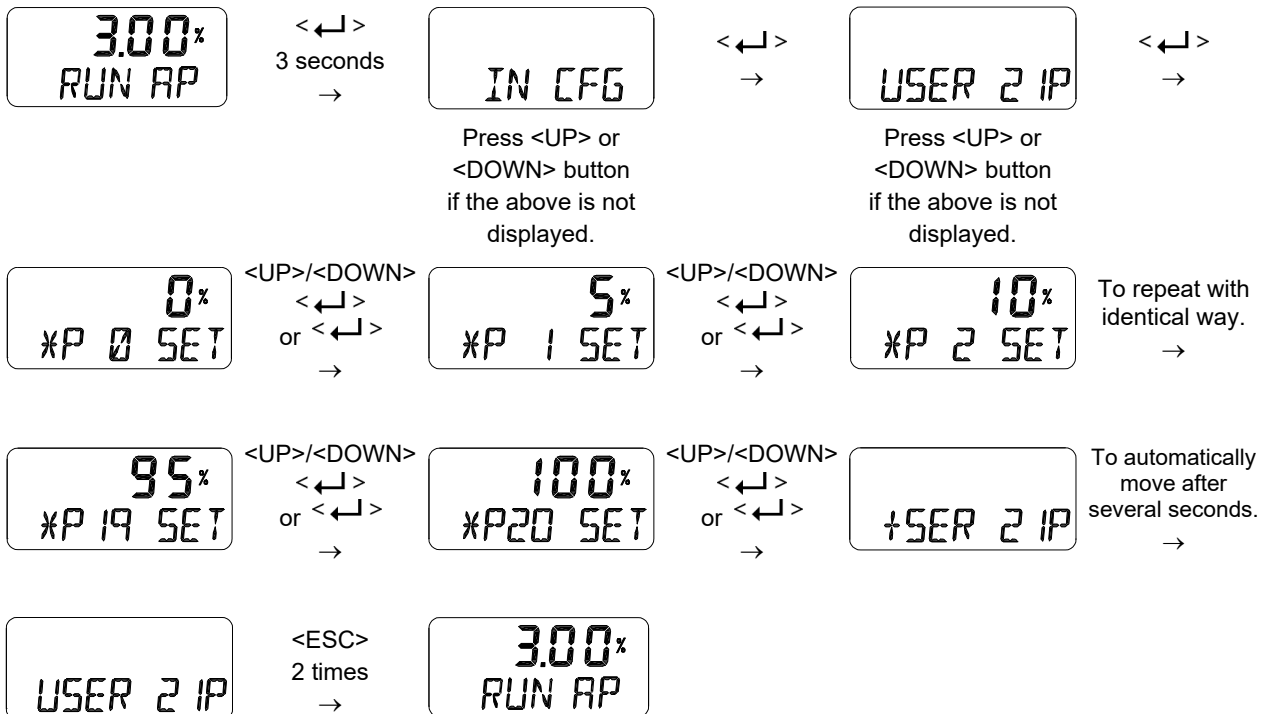
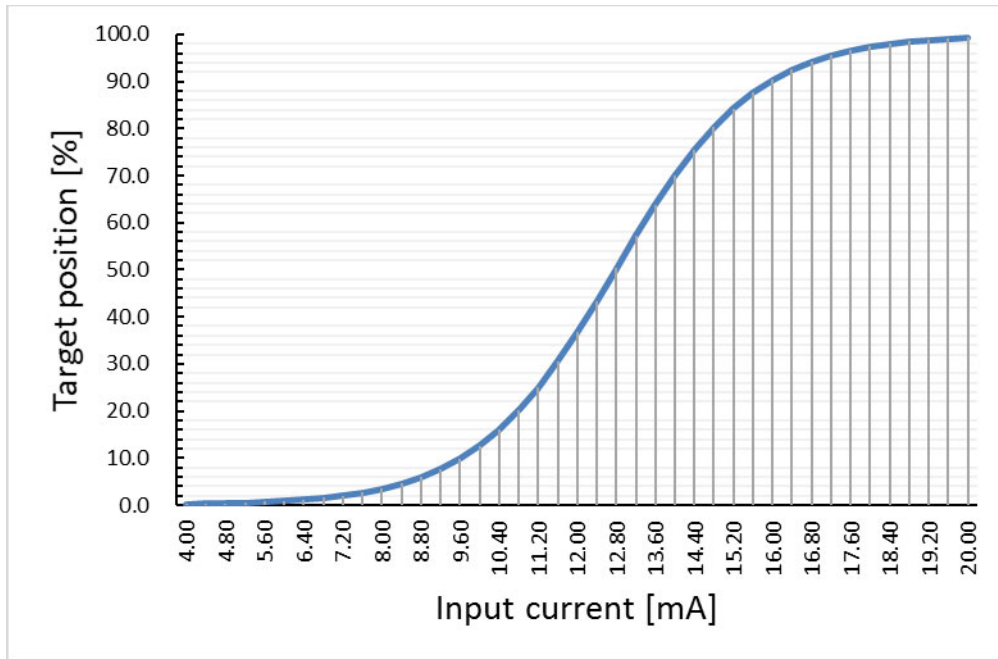
A total of 5 target positions are set every 4 mA intervals. When shipped from the factory, the initial positions are P0 (4mA, 0%), P1 (8mA, 25%), P2 (12mA, 50%), P3 (16mA, 75%), and P4 (20mA, 100%). User can change all 5 points or only change partially and exit the menu by pressing <ESC> button.



This function is activated by saving the Valve Flow Characterization Curves (CHAR) of above Section 8.9.5 as "U5".

### 8.9.7 User Set Characterization 21 Points (U21)

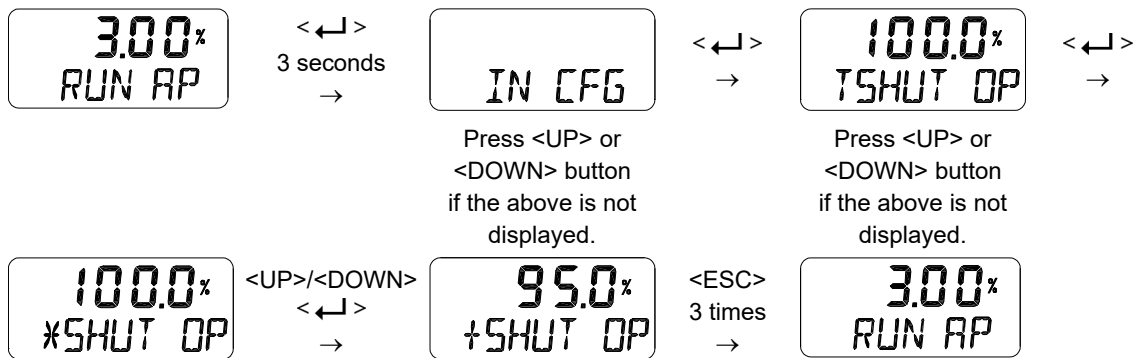
A total of 21 target points can be set every 0.8 mA intervals. When shipped from the factory, the initial P0 (4mA, 0%), P1 (4.8 mA, 5%), P2 (5.6 mA 10%), - - -, P19 (19.2 mA, 95%), and P20 (20 mA, 100%). For example, a characteristic curve below can be made through the settings of P1 to P20. User can change all 21 points or only change partially and exit the menu by pressing <ESC> button.



This function is activated by saving the Valve Flow Characterization Curves (CHAR) of above Section 8.9.5 as "U21".

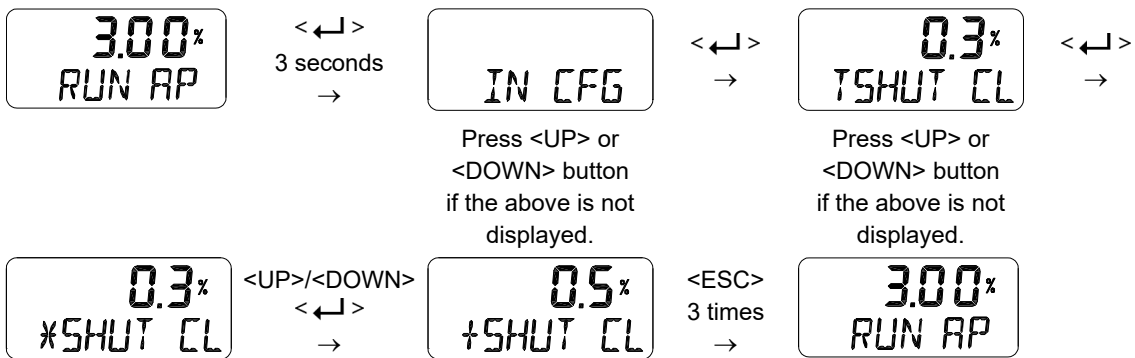
### 8.9.8 Tight Shut Open (TSHUT OP)

It is used to ensure that the valve is fully opened with a large force. When the input signal SP is greater than the value set in the TSHUT OP, all available force is applied to OUT 1 port to tightly open the valve. If the input current of 4 mA is 0% of valve position and 20 mA is 100% of valve position, and the Tight Shut Open value is set to any position less than 100% (e.g. 95%), then the valve stroke will be 100% immediately when the input signal is over the set value (e.g. 95%). A full supply pressure applied to the actuator via the OUT1 port prevents leakage of the valve by shutting the valve tightly. However, when the value is set to 100%, Tight Shut Open function doesn't work.

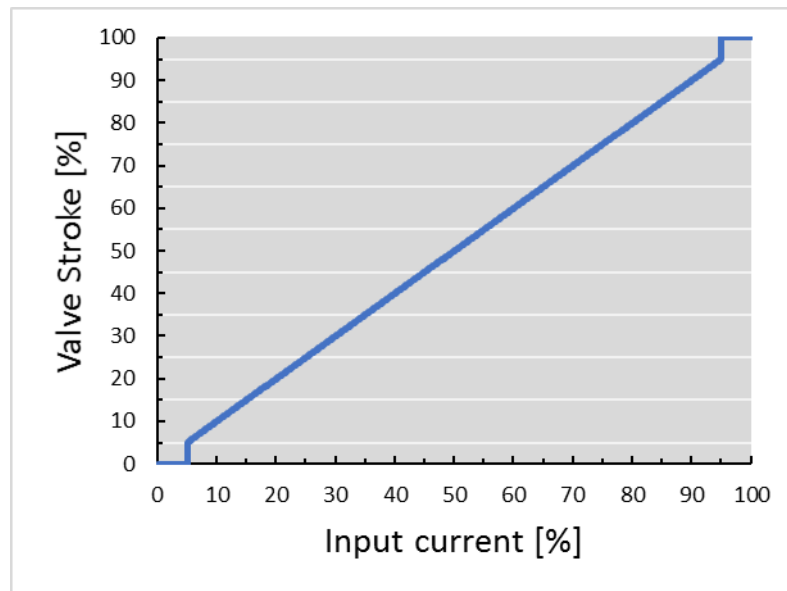


### 8.9.9 Tight Shut Close (TSHUT CL)

It is used to ensure that the valve is fully closed with a large force. When the input signal SP is smaller than the value set in the TSHUT CL, air pressure is vented through OUT 1 port to tightly close the valve. If the input current of 4 mA is 0 % of valve position and 20 mA is 100 % of valve position, and the Tight Shut Close value is set to any position larger than 0 % (e.g. 5%), then the valve stroke will be 0 % immediately when the input signal goes below the set value (e.g. 5%). The air venting from the actuator via the OUT1 port prevents leakage of the valve by shutting the valve tightly. However, when the value is set to 0%, Tight Shut Close function doesn't work.



The following graph shows the operation of the valve stroke when the input signal corresponding to Tight Shut Open or Tight Shut Close is applied to the device.





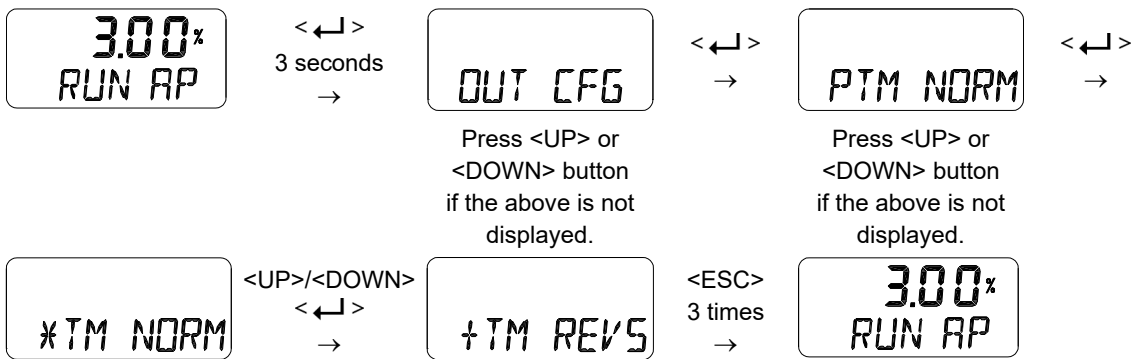
8.10 Output Configuration (OUT CFG)

Followings are the values changeable at the Output Configuration Mode.

- 1) Position Transmitter Direction (PTM NORM / REVS)
- 2) Position Transmitter Zero / End (PTM ZERO / ENd)
- 3) Back Calculation (bACKCAL oFF / on)

8.10.1 Position Transmitter Direction (PTM NORM / REVS)

The analog feedback signal from the positioner can be changed to normal (NORM) or reverse (REVS), which means they are the same or reversed direction as the actual position.



8.10.2 Position Transmitter Zero / End (PTM ZERO / ENd)

ZERO adjusts the zero point of the position transmitter (4mA feedback), and ENd adjusts the end point of the transmitter (20mA feedback). This is used when the analog output signal needs to be feedbacked differently than the actual position of the valve, or to be adjusted a little. A measuring instrument such as an ampere meter is needed to view the analog output signal, and it should be connected as shown below.

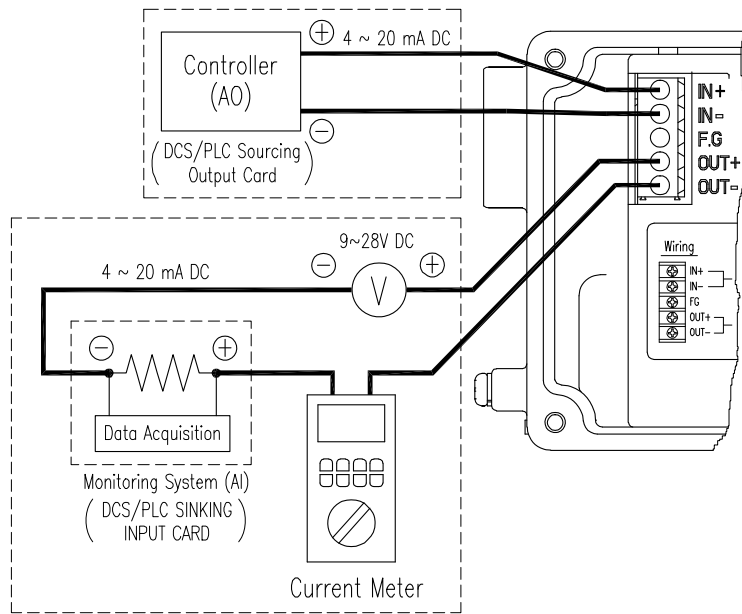
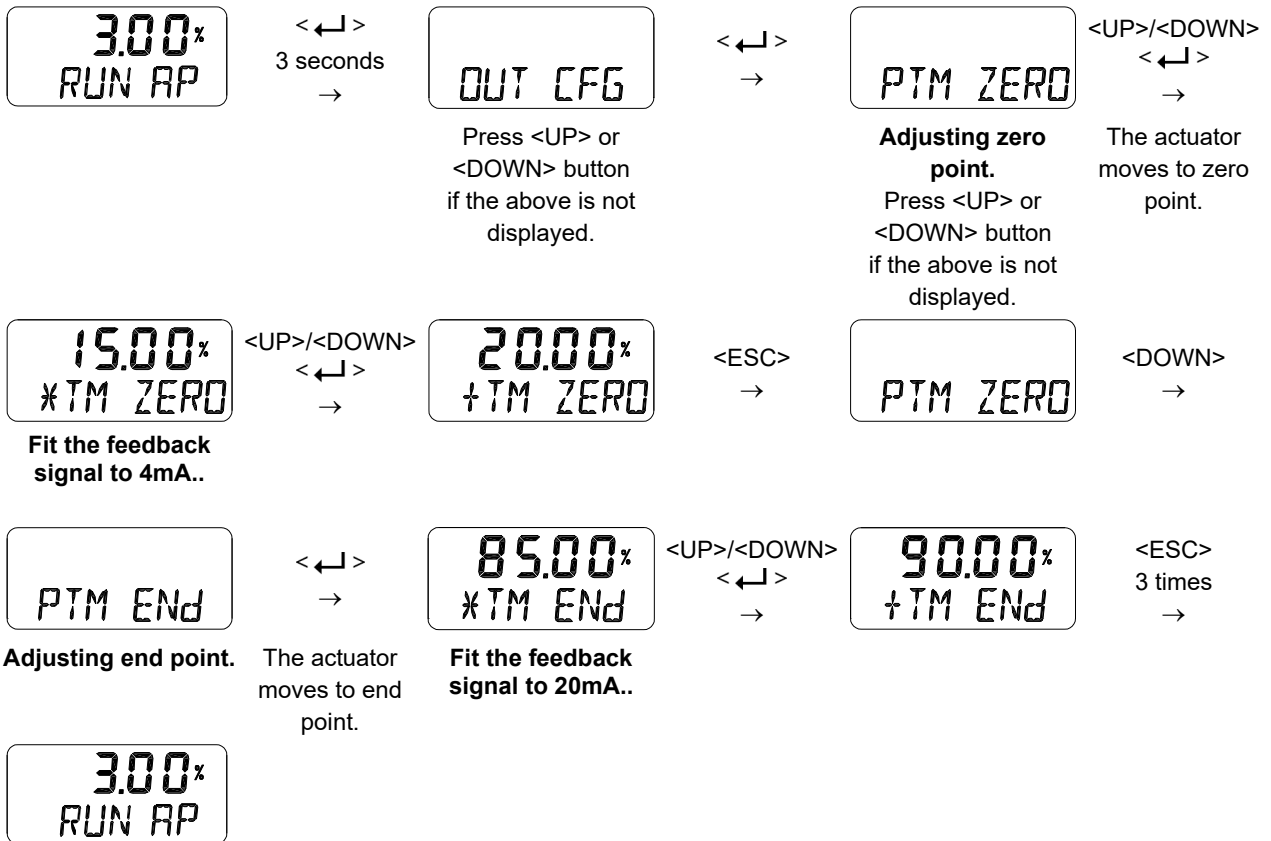
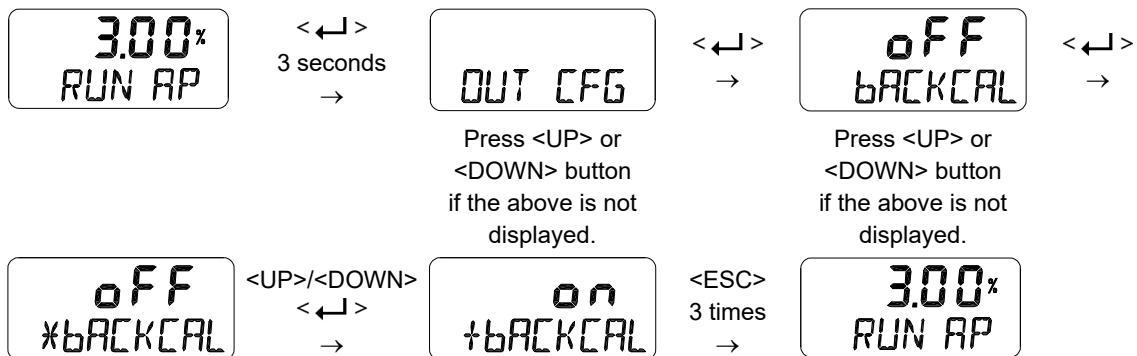


Fig. 8-3: Setting transmitter



### 8.10.3 Back Calculation (bACKCAL off / on)

This function recalculates the output "RUN AP" value changed by the flow characteristics setting mode to display it linearly proportional to actual input current. For example, if the flow characteristic mode is set from "LIN" to "EQ", when an input current value of 8 mA (25 %) is applied, the target position is changed to 6.25 % and "RUN AP" is displayed as 6.25 % after the move. If you change the bACKCAL from OFF to ON, the "RUN AP" is displayed as 25 %.



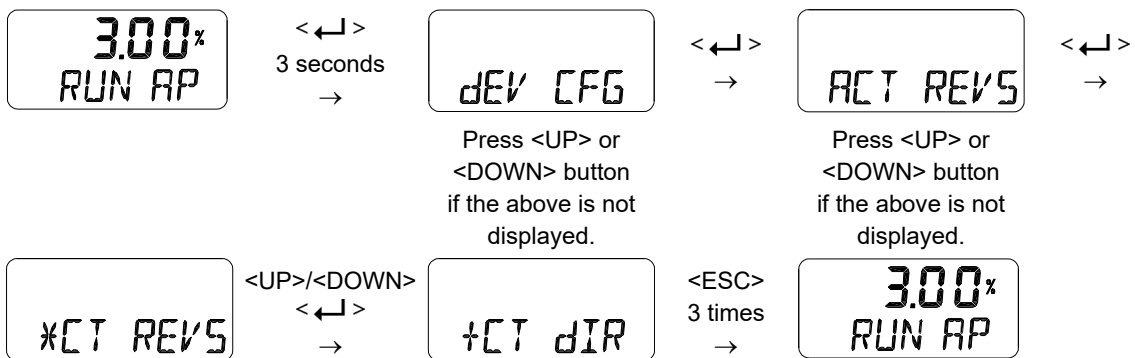
### 8.11 Device Configuration (dEV CFG)

Followings are the values changeable at the dEV CFG Mode.

- 1) Action Setting (ACT REVS / dIR)
- 2) Linear Interpolation (ITP oFF / on)
- 3) Lock of Parameters (Write Protect, W UNLOCK / LOCK)
- 4) Actual Position View Mode (View Mode, VI NORM / REVS)
- 5) Factory Reset (dEFAULT oFF / on)
- 6) Positioner Self-Test (SELFTEST)

#### 8.11.1 Action Setting (ACT)

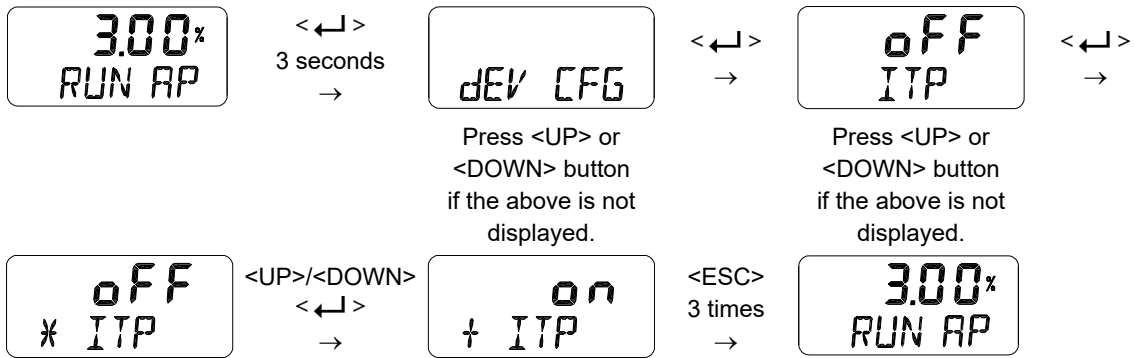
Reverse Action (REVS) or Direct Action (dIR) are automatically set by performing "AUTO 2" within the Auto Calibration function. However, this function is used when the user requires to change ACT REVS or ACT dIR to other action. Changing the action from Reverse Action (REVS) to Direct Action (dIR) or Direct Action (dIR) to Reverse Action (REVS) will also change the Signal Direction (SIG), Position Transmitter Direction (PTM), HART Feedback Direction (HT) and View Mode (VI).



### 8.11.2 Linear Interpolation (ITP off / on)

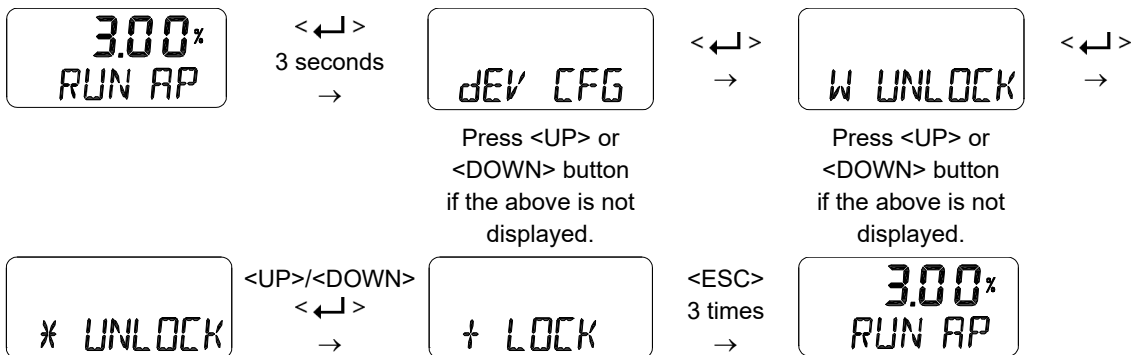
ITP is used to compensate the linear motion of the actuator into rotary motion of the feedback lever. Following Auto Calibration, the ITP mode is set automatically to ON when the angle range of the feedback lever is greater than 20°, but it is set to OFF when this angle is less than 20° or rotary positioner is used.

The settings below are the process of manually changing the “ITP off” to the “ITP on”.



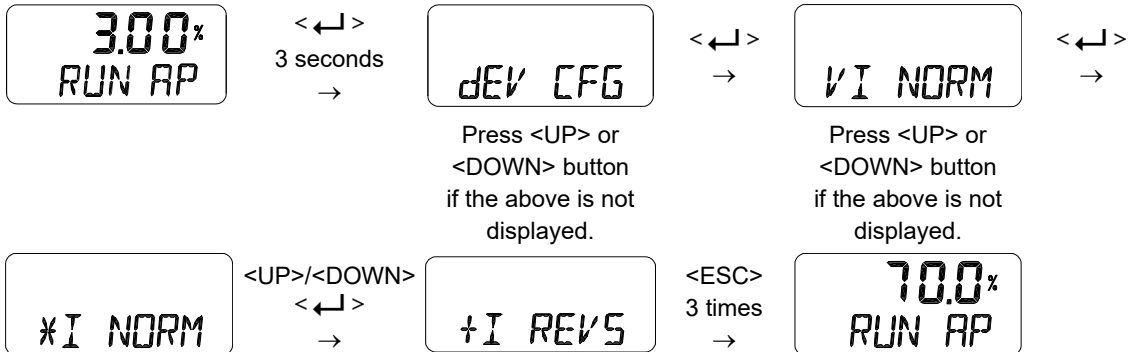
### 8.11.3 Lock of Parameters (Write Protect, W UNLOCK / LOCK)

This function is used to set (LOCK) or disable (UNLOCK) the lock for the parameters. Used to prevent the stored parameters from being changed.



8.11.4 Actual Position View Mode (View Mode, VI NORM / REVS)

This function is used to set the "RUN AP" value on the LCD to be displayed as direct (NORM) or reversely (REVS) as the actual position of the valve.

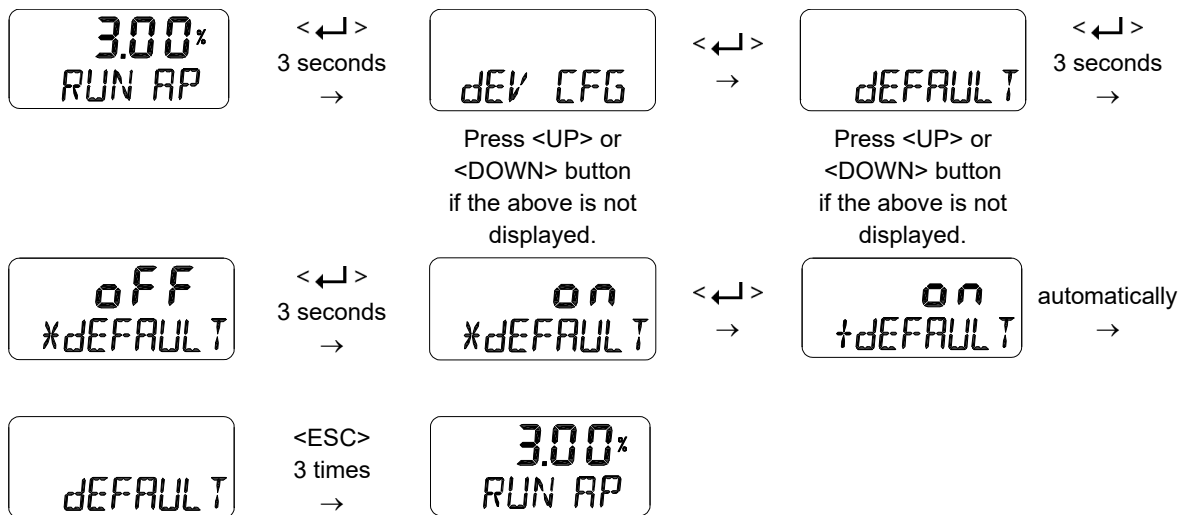


8.11.5 Factory Reset (dEFAULT OFF / on)

This function initializes all parameters stored in the positioner to initial factory setting. In the dEFAULT mode, pressing the Enter button for approximately 3 seconds enables ON/OFF setting mode and then setting it to ON resets all parameters.

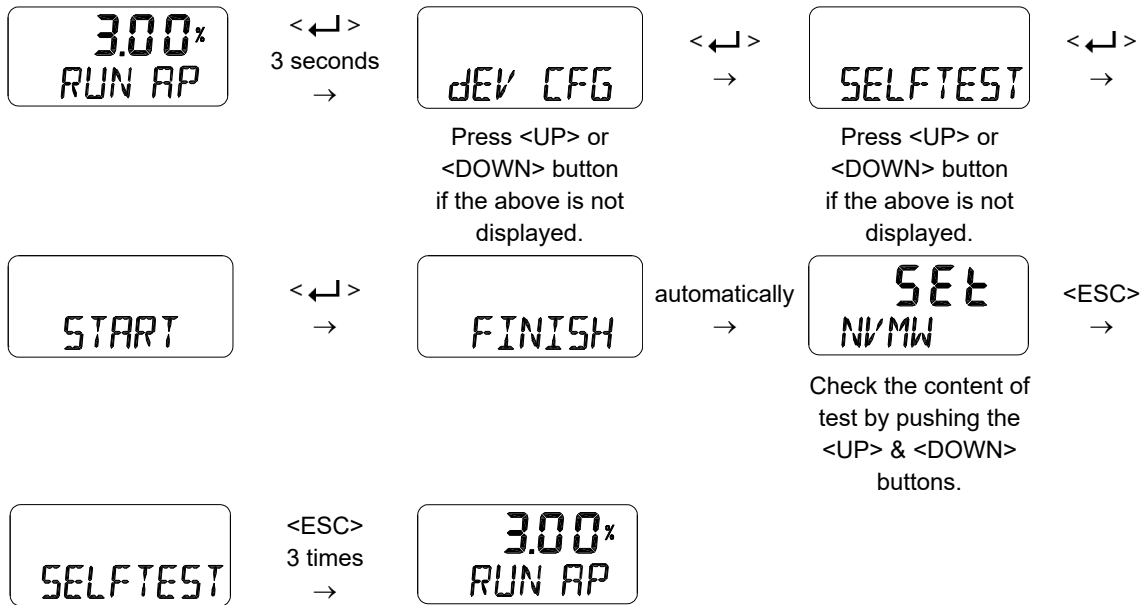


**Pay attention when using this mode as all the parameter values will be changed to the factory settings.**



### 8.11.6 Positioner Self-Test (SELFTEST)

This function is used to diagnose the operation of the memory (RAM or NVM) inside the positioner. If no error is found during SELFTEST, the SELFTEST menu is displayed after FINISH is displayed, and if abnormalities are detected, the message "SEt / NVMW" is displayed.



#### # Diagnostic message



If the abbreviation displayed at the top line is "SEt", it means the event has been created, and if it is "CLr", the message has been cleared. NVMW at the bottom is an alarm message that has occurred. See "8.14 Status and Alarm Code" for alarm details.

alarm details.

8.12 Diagnosis Mode (dIAGNd)

Followings are the values changeable at the dIAGNO Mode.

- 1) Default Alarm Settings
- 2) Device Status (dS)
- 3) Reset Alarm Status (RST ALRM)
- 4) View Event Log (EVT LOG)

8.12.1 Default Alarm Settings





The table below shows the default settings for the positioner status. They are enable to automatically generate an alarm when particular event occurs and each state or alarm is set to be one of Failure, Out of Specification, Maintenance Required, Function Check according to the classification of NE107 signal. So the corresponding NE107 signal is displayed especially when particular alarm occurs. As shown in the table below, the status / alarms that can be manually reset are Auto Calibration Running, Diagnosis Running, Critical NVM Fail, Non-Critical NVM Fail and Auto Calibration Fail.

Status / Alarm	Activation	Is the Status or Alarm reset manually?
Local Operation Active	Enable	No
Auto Calibration Running	Enable	Yes
Position Sensor High Limit	Enable	No
Position Sensor Low Limit	Enable	No
Critical NVM Fail	Enable	Yes
Non Critical NVM Fail	Enable	Yes
Deviation Timeout	Enable	No
Temperature Sensor Fail	Enable	No
Position Sensor Fail	Enable	No
Abnormal Drive Signal	Enable	No
Travel Cutoff High Limit	Enable	No
Travel Cutoff Low Limit	Enable	No
Auto Calibration Fail	Enable	Yes
Stack Overflow	Enable	No
Loop Current High Limit	Enable	No
Loop Current Low Limit	Enable	No

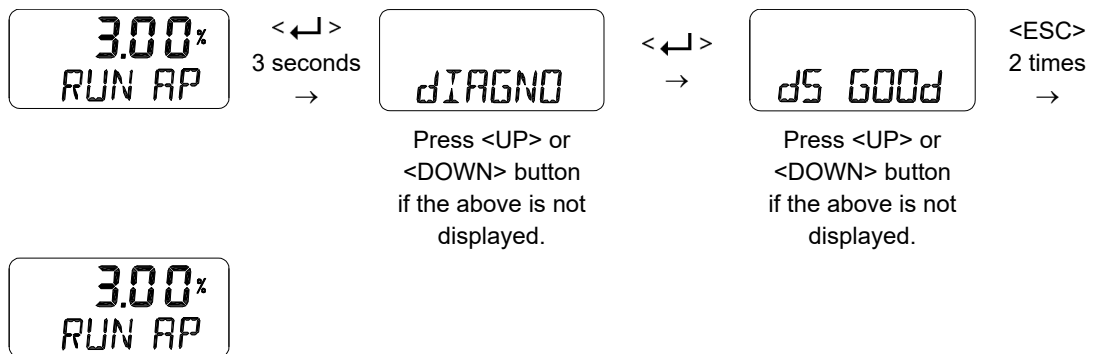


### 8.12.2 Device Status (dS)

The status of the current devices is indicated as GOOd, NE107 symbol, and abbreviation for alarm.

NE107 symbols	Abbreviation	Function
None	dS GOOd	Good
	dS FAIL	Failure
	dS FUNC	Functional Check
	dS OUTS	Out of Specification
	dS MNTR	Maintenance Required

Alarms generated by each process are assigned to one of the four NE107 signals at initial factory settings and can be used by reassigning the already preset signals as required. See Status and Alarm Code for the details of each alarm.

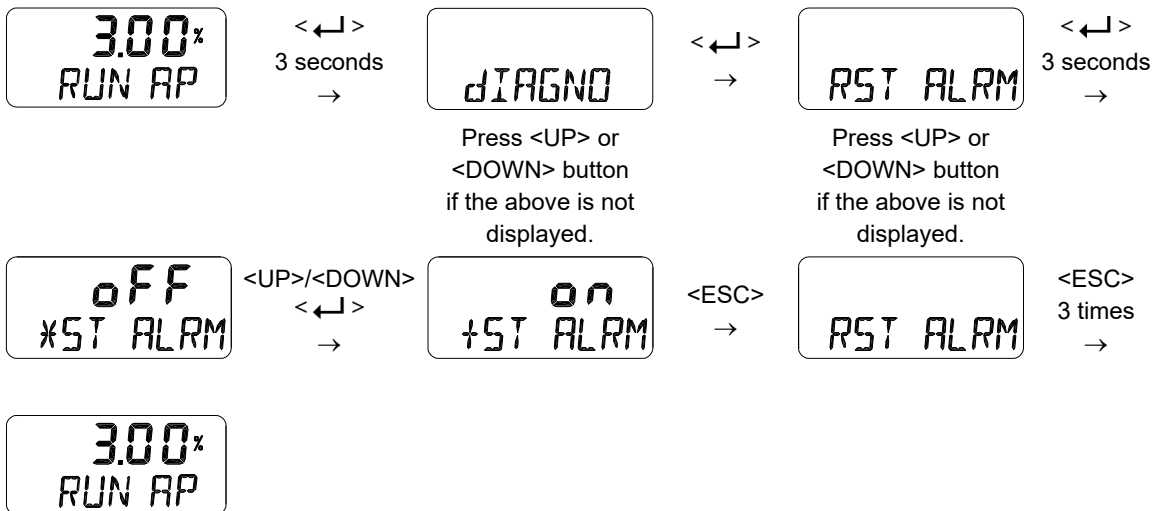


### 8.12.3 Reset Alarm Status (RST ALRM oFF / on)

The alarm is automatically released when the cause of the alarm is removed. For example, if a high-temperature alarm is created, the alarm is automatically released when internal temperature drops below the Temperature High Limit. However, if the Partial Stroke Test fails or Auto Calibration fails, use this function to release the alarm.

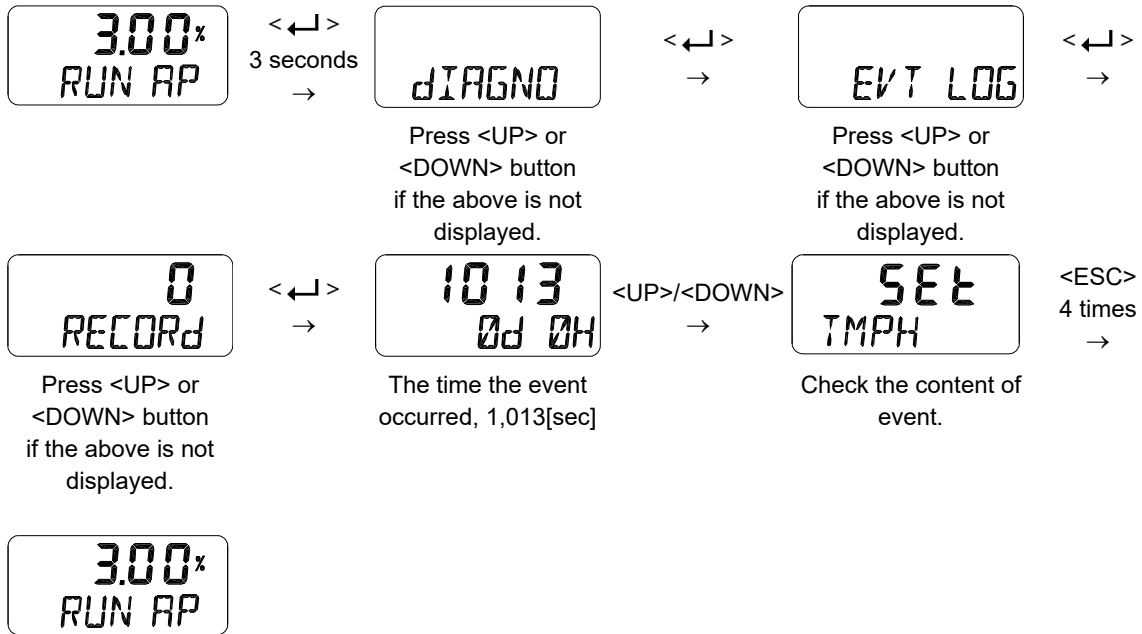
Below is an alarm list that can be released using the RST ALRM function.

- 1) Auto Calibration Running
- 2) Diagnosis Running
- 3) Critical NVM Fail
- 4) Non-Critical NVM Fail
- 5) PST Fail
- 6) Auto Calibration Fail



### 8.12.4 View Event Log (EVT LOG)

This is used to show the 20 most recent events that occurred in operation. Record 0 is the most recent of the 20 events and Record 19 is the oldest event. The event detail shows the time when the event occurred (EVT TIME) as well as the content of the event (EVT INFO). See 8.14 Status and Alarm Codes for an abbreviation and description of the event details.



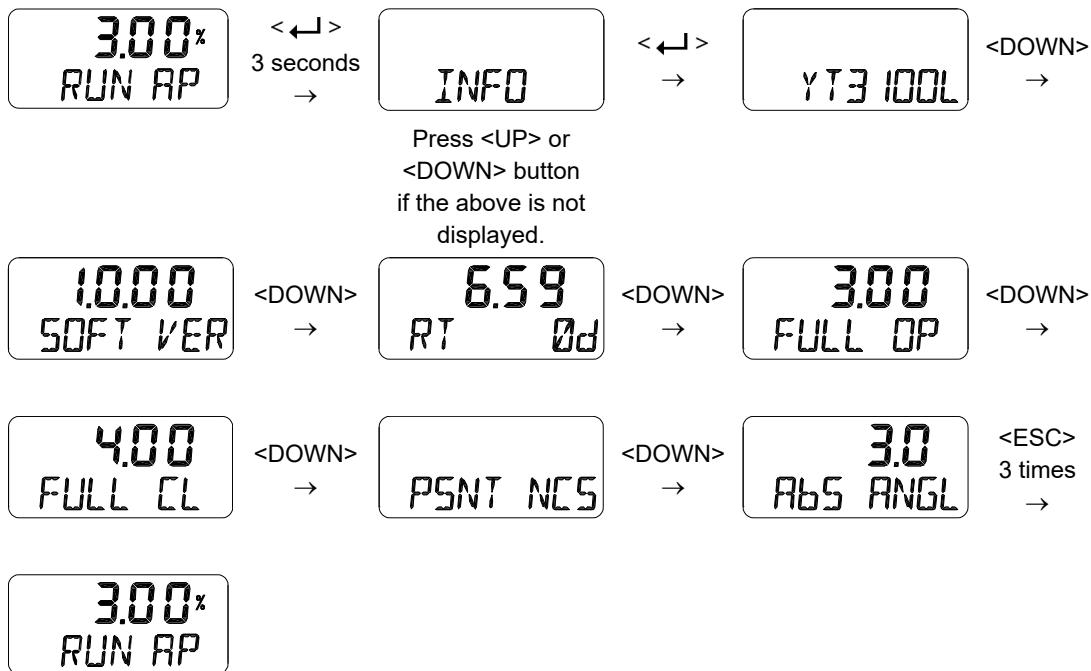
#### # Event Message Description



The "SEt on the upper section of screen shows that a specific event has occurred, while the "CLr" means that the event has been removed. The "TMPH" displayed on the bottom section indicates an abbreviation for the alarm.

8.13 Position information (INFO)

The diverse Positioner information is provided in the INFO Mode.



LCD display	Description
<b>RE20L</b>	Model Name
<b>1.0.00 SOFT VER / 2019MA21</b>	Software Version [SOFT VER] "1.0.00" Software Input date : "2019 MA 21" At SOFT VER status if <← > button is pressed, the date will be displayed and then if <← > button is pressed again, SOFT VER is displayed again.
<b>4.18 RT      0d</b>	Run Time [RT] Total usage time of the product Upper "4.18" indicates 4 hours and 18 minutes. Lower "0d" indicates days used. Interval to store time is one minute.
<b>3.12 FULL OP</b>	Upward Full Stroke Time [FULL OP] This value is stored automatically after executing AUTO 2 calibration, and indicates the time in seconds it takes for the valve to fully open from fully closed.
<b>2.97 FULL CL</b>	Downward Full Stroke Time [FULL CL] This value is stored automatically after executing AUTO 2 calibration, and indicates the time in seconds it takes for the valve to fully closed from fully open.
<b>PSNT NCS</b>	Position Sensor Type [PSNT] Potentiometer [PTN] Non-Contact Sensor [NCS]
<b>AbS ANGL</b>	Absolute Position in Angle [ABS ANGL].

## 8.14 Status and Alarm Code

The status and alarm codes can be displayed on the LCD screen as required. Refer to the table below to check the status and alarm codes, and then take the appropriate action. (See 8.5 Configuration and Operation)

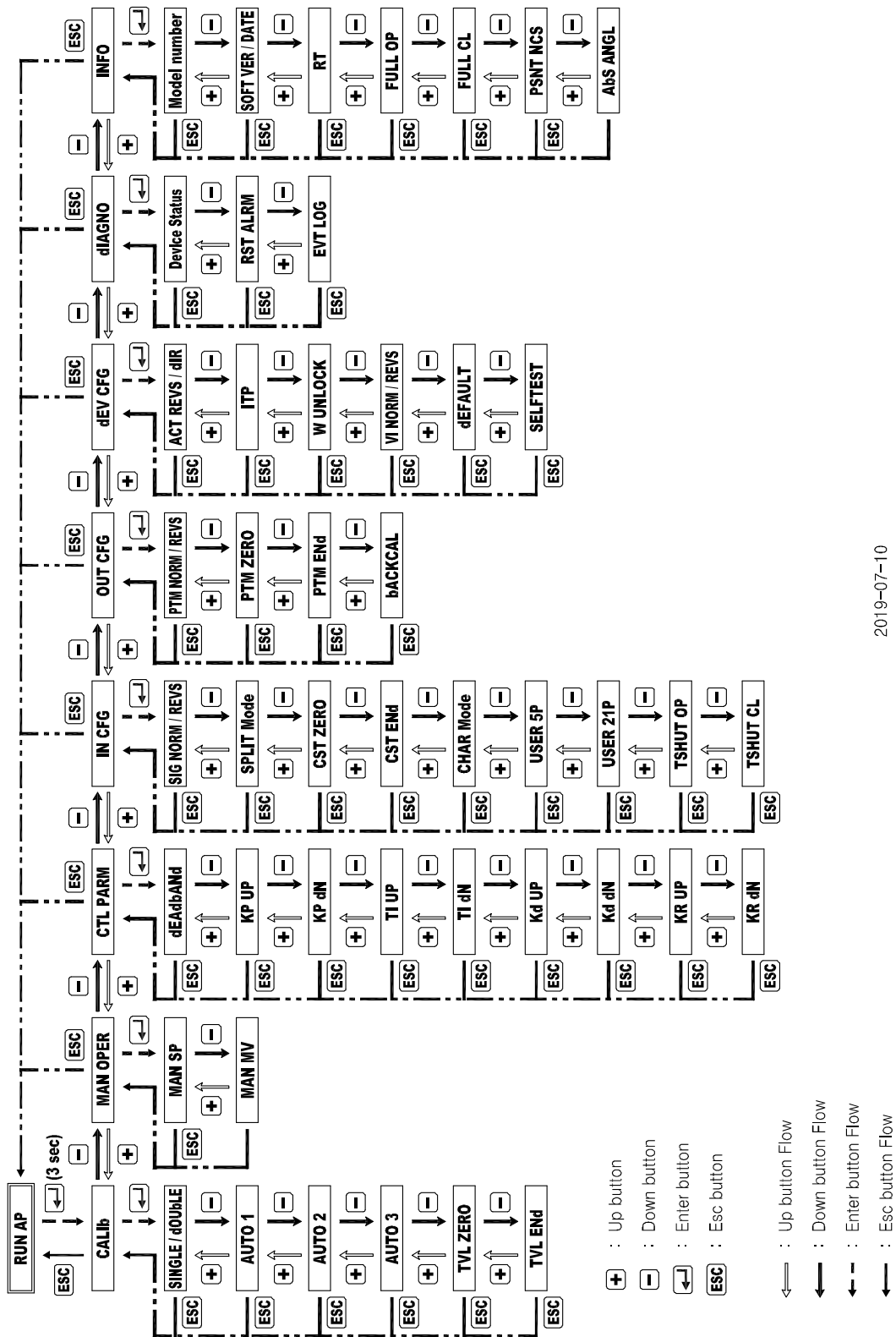
Alarm Code	Abbreviation	Status / Alarm name	Description or proposed actions
0	LOPA	Local Operating Active	It indicates the positioner is being operated by manual operation.
1	CALR	Auto Calibration Running	It is active when auto-calibration is in progress.
2	DIGR	Diagnostics Running	It is active when diagnosis test such as Step Response Test, Stroke Time Test, and Trace Test is in progress.
4	PSNH	Position Sensor Hi Limit	Position sensor is out of range. Check the installed state if it happened during operation.
5	PSNL	Position Sensor Lo Limit	Position sensor is out of range. Check the installed state if it happened during operation.
6	NVMF	Critical NVM Defect	It is active if there is a failure associated with NVM (Nonvolatile Memory). Initialize the positioner using Default function and then AUTO 2 calibration. If it is repeated, replace the electronics board by contacting the manufacturer or manufacturer's representative.
7	NVMW	Non-Critical NVM Defect	
15	dVTO	Deviation Time Out	It is active when actual deviation greater than the preset Deviation persists longer than the preset Deviation Time. Check if the setting is appropriate or if there is no problem with the friction of valve/actuator, pneumatic leaks, insufficient supply pressure.
18	PSNF	Position Sensor Defect	It is active if there is a problem with the position feedback sensor inside the positioner. If it is repeated, replace the electronics board by contacting the manufacturer or manufacturer's representative.
19	ABdS	Abnormal Drive Signal	It is active if there is a problem with I/P converter. If it is repeated, replace the electronics board by contacting the manufacturer or manufacturer's representative.
23	TVCH	Travel Cutoff Hi Limit	It is active when the travel exceeds the available high stroke of the valve/actuator. The available stroke is already set during auto calibration. The event is not created when Tight Shut Open is used. Aging of the valve / actuator assembly or problem in the positioner sensor.
24	TVCL	Travel Cutoff Lo Limit	It is active when the travel is below the available low stroke of the valve/actuator. The available stroke is already set during auto calibration process. The event is not created when Tight Shut Close is used. Aging of the valve / actuator assembly or problem in the positioner sensor.
29	CALF	Auto Calibration Failure	It is active when auto-calibration has failed. Retry auto-calibration after checking if there is no problem with

			installed state such pneumatic leaks, lever position and others.
--	--	--	--

Alarm Code	Abbreviation	Status / Alarm name	Description or proposed actions
32	STAK	Stack Overflow	Replace the electronics board by contacting the manufacturer or manufacturer's representative.
36	LPCH	Loop Current Hi Limit	It is active if the input current exceeds 20.5 mA.
37	LPCL	Loop Current Lo Limit	It is active if the input current falls below 3.8 mA.



## 9. Main Software Map



2019-07-10



